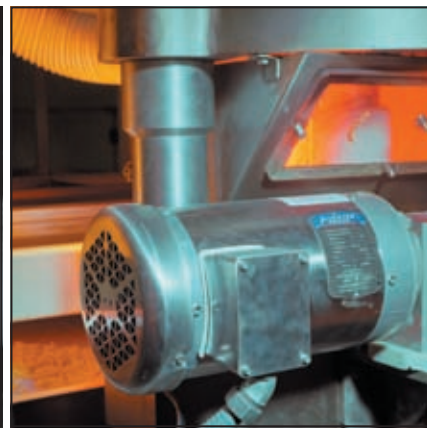
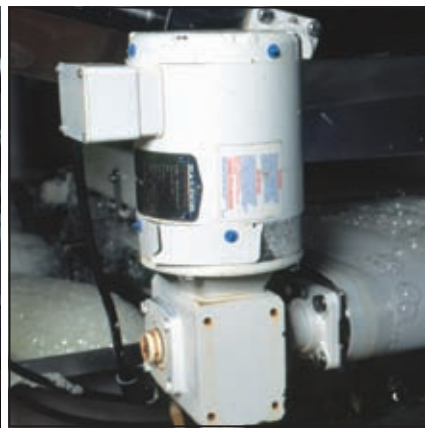


BALDOR • RELIANCE



Washdown Duty Products

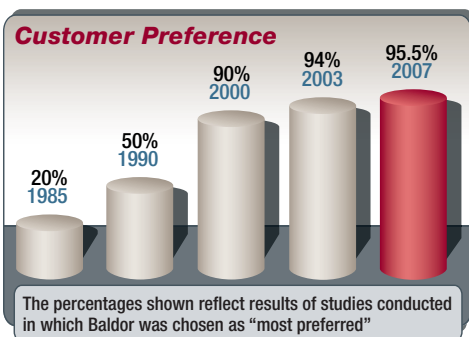


BALDOR
BALDOR • DODGE • RELIANCE

Why Baldor?

For more than 88 years, Baldor has strived to provide customers with the best value and reliability in industrial electric motors. That dedication shows in customer preference for Baldor motors.

To be considered as the most preferred...



Baldor offers the industry's broadest line of stock products. Save valuable time with just one call to Baldor. We offer more than 10,000 stock motors, drives and gearboxes.

Energy-efficiency leader. We began lowering the energy consumption of our motors in the 1920s, long before others were even talking about it. Today, our expansive line of Super-E® premium-efficient motors ranges from 1 through 15,000 hp. Baldor's Super-E® line offers customers the highest overall efficiency levels in the industry.



Baldor products are available at more locations than any other brand.

Our 35 district offices/warehouses across North America offer immediate availability of Baldor products to thousands of customers.

Continuous innovation to improve reliability.

Baldor leads the motor industry in applying new technologies and materials to improve motor reliability. Recent improvements to the line of Washdown Duty motors are further proof that Baldor is the leader in motors for food and pharmaceutical processing and handling applications. These improvements are explained in detail on the following pages.

Industry's best information. Only Baldor offers customers so many choices for product information with a wide variety of catalogs and product brochures, a CD-ROM electronic catalog, the Baldor Web site (www.baldor.com), or you may talk to a Baldor customer service person at one of our sales offices.

Industry's shortest lead times/Flexible manufacturing.

Baldor has the industry's shortest lead times on custom motors – just two weeks. Our unique FLEX FLOW™ manufacturing process lets us produce any order in any quantity, quickly and efficiently.



Table of Contents

| | Page |
|---|-------|
| SSE Stainless Steel Super-E® Motor Features | 2-3 |
| Washdown Motor Features | 8-9 |
| Motor Performance Data | |
| • SSE, Super-E® Stainless Motors | 4-5 |
| • IEC SSE Stainless Motors | 5 |
| • All Stainless Motors | 6 |
| • Paint-Free Motors | 7 |
| • Premium Efficient Super-E® Washdown Motors | 10 |
| • Washdown Motors | 11-12 |
| • 575 Volt Washdown Motors | 12 |
| • Super-E® Washdown Brake Motors | 13 |
| • Single Phase Washdown Motors | 13 |
| • Close-Coupled Pump Washdown Motors | 14 |
| • Feather Picker Washdown Motors | 14 |
| • Washdown and Paint-Free Inverter Drive® and Vector Drive® | 15 |
| • Paint-Free IEC Metric Motors | 16 |
| • IEC Metric Washdown Motors | 16 |
| • Paint-Free Permanent Magnet DC Motors | 22 |
| • Washdown Permanent Magnet DC Motors | 22 |
| • Washdown Tachometers | 23 |
| Controls Performance Data | |
| • Series 5 Washdown Micro Inverter Controls | 17 |
| • VS1SP Washdown Inverter Drive | 18-19 |
| • VS1GV Washdown Vector Drive | 20-21 |
| • NEMA 4X DC SCR Washdown Control | 23 |
| Gear Reducer Performance Data | |
| • Stainless Gear Reducers | 24-25 |
| • Washdown Gear Reducers | 26-27 |
| • Gear Reducer Base Kits | 27 |
| Dimension Drawings | 28-41 |
| Connection Diagrams | 42-44 |

The Best Value in Washdown Duty Motors and Drives

Long before we invested in the people, equipment and material required to produce Baldor•Reliance Washdown Duty motors and drives, we invested our time and attention. We listened to equipment designers, operators and plant maintenance engineers. We learned about their toughest processing applications in poultry, meat, dairy, snack foods and pharmaceuticals. And we took notes when they shared their wish lists of product capabilities and characteristics.

That was over 1,000,000 Washdown Duty motors ago, and we're still listening to customer input.

Today's input: better performance and reliability. These are the inspirations behind Baldor's new and improved Washdown Duty motors. We accomplished this by adding features like an improved paint system, Baldor's ISR Inverter Spike Resistant™ magnet wire, Class F insulation with Class B (or lower) temperature rise, and Exxon Polyrex® EM grease, customer-friendly drain plugs, and shaft seals.

Features, choice and availability make Baldor Washdown Duty motors and drives the best value.

- Baldor's Washdown, Paint-Free Washdown and Stainless Washdown are suited for applications requiring high-pressure cleaning with caustic solution. These choices allow you to select the right motor for the amount of protection required for the specific application.
- The widest variety of Washdown Duty motors available from stock. Motors may be selected with the required voltage, horsepower, speed and mounting for the application. Plus, Baldor offers your choice of permanent magnet DC, Baldor•Reliance SmartMotor™ and Servo motors with Washdown Duty construction.



Baldor Washdown Duty Motors provide easy clean up for Hiram Walker's high speed, bottle filling line. The line fills Kahlua bottles at a rate of 300 bottles per minute.

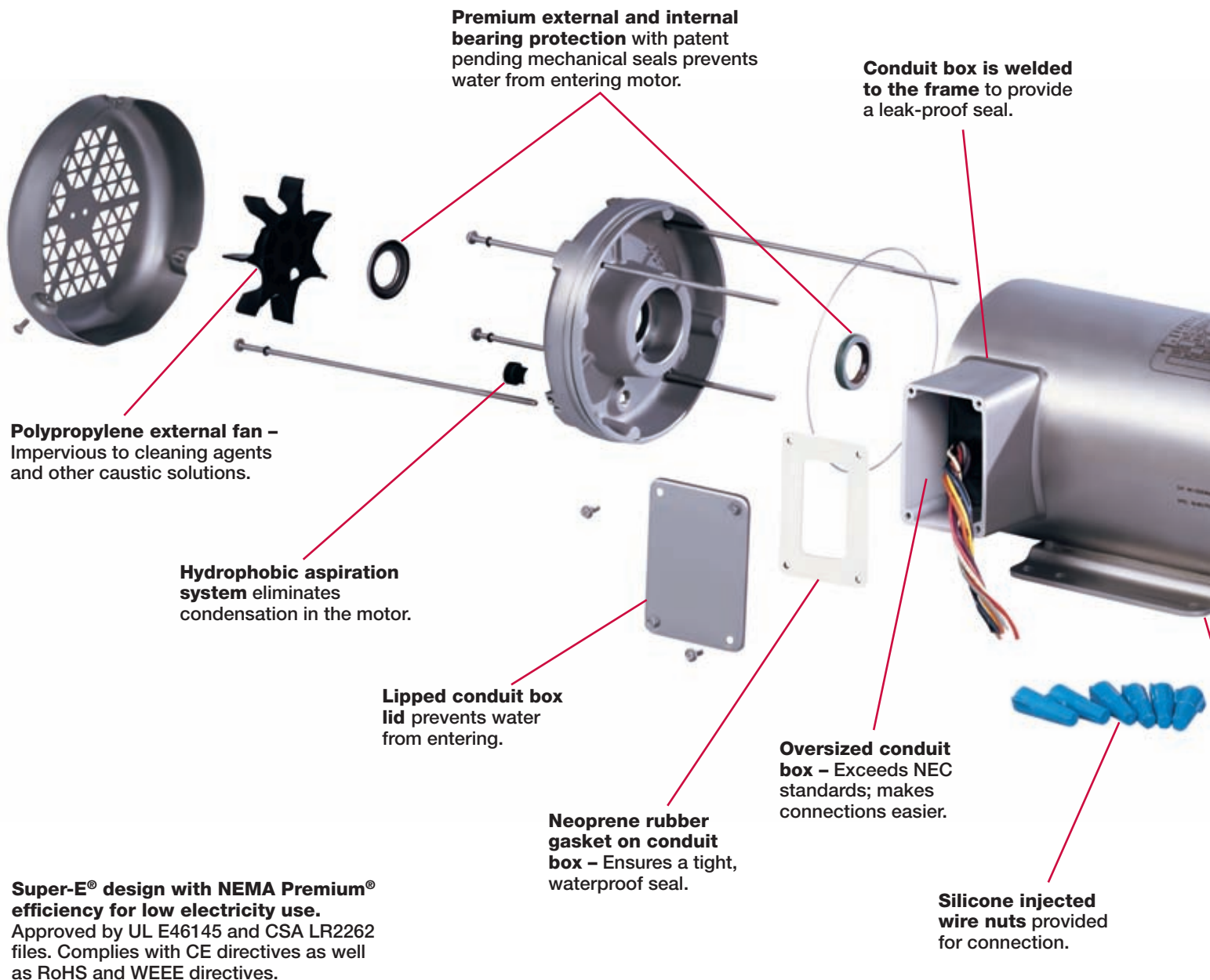
- Our Super-E premium efficiency designs meet or exceed NEMA Premium® efficiency levels, provide energy savings, lower temperature rise and increased motor life.
- The autophoretic primer and epoxy paint system on our Washdown Duty motors passes 500 hours in a salt spray booth per ASTM B117.
- Totally Enclosed Non-Ventilated (TENV) Inverter Drive® and Vector Drive® washdown motors are designed and tested for use with adjustable speed controls to ensure maximum performance and adequate cooling over the motor's entire speed range.
- Super-E Washdown Duty motors are Inverter Ready and meet NEMA MG-1 2006, Part 31 requirements for peak voltage when used on inverters.
- If the motor you need is not one we stock, Baldor can build your custom motor in only two weeks! Custom capabilities include mountings, conduit boxes, shaft configurations, special voltages and frequencies.

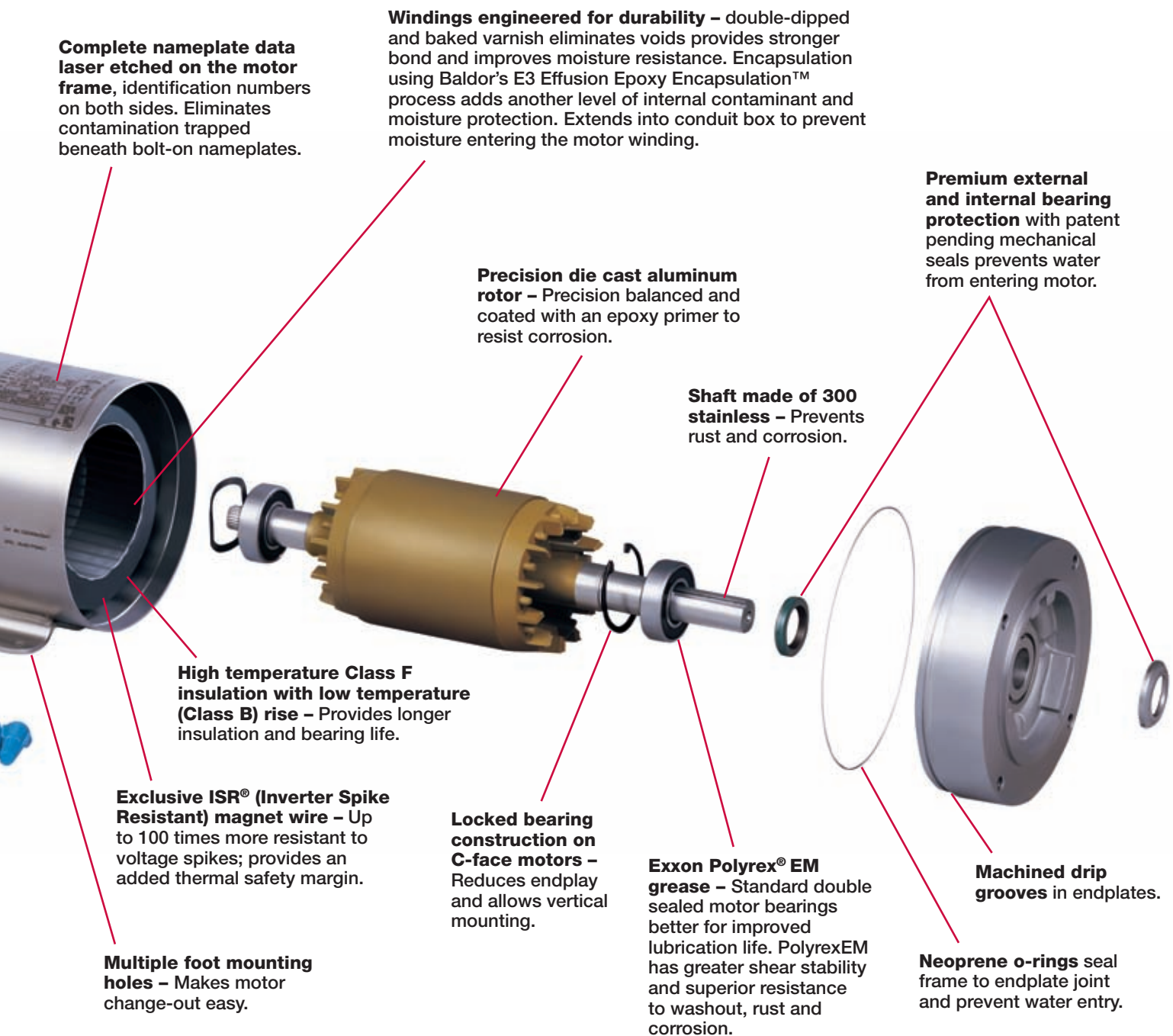


There are many other advantages to specifying Baldor Washdown Duty motors and drives. You'll find them on the following pages, as well as all the specs you need to make the perfect choice for your application.

Baldor SSE Stainless Steel Super-E® Motor

All stainless steel construction including housing, conduit box and cover, base, fan cover and endplates. Impervious to rust and deterioration caused by high pressure caustic sanitizing. Provides longer trouble-free life than conventional motors.





SSE™ Super-E® Washdown Duty Stainless Motors



Over the years, Baldor has worked with industry leaders in food processing to design washdown duty motors that meet and exceed their application demands.

Our new Stainless Super-E® washdown duty motors are another example of the best getting better. Baldor's SSE™ Stainless Super-E® is designed to perform longer than any other industrial electric motor available today, in the most corrosive and caustic applications subjected to frequent high-pressure sanitizing.



With unmatched quality and superior reliability, Baldor's new SSE Stainless Super-E motors have again set the standard that all other washdown duty motors will be judged against.

Performance Data: TEFC - Totally Enclosed Fan Cooled, TENV - Totally Enclosed Non-Ventilated, 230/460 Volts, Three Phase, 1 through 10 Hp

| HP | kW | RPM | Frame | Encl. | Catalog No | Amps | | Fl Tq | Efficiency | | Power Factor | | Bearings | | Volt Code | "C" Dim. | Conn Dia | Aprx. Wt. |
|---------------------------------|------|------|-------|-------|--------------|------|------|-------|------------|------|--------------|----|----------|------|-----------|----------|----------|-----------|
| | | | | | | FL | LR | Lb-Ft | 3/4 | FL | 3/4 | FL | DE | ODE | | | | |
| Super-E C-face with base | | | | | | | | | | | | | | | | | | |
| 0.5 | 0.37 | 3500 | 56C | TENV | CSSEWDM3537 | 0.7 | 7.4 | 0.76 | 83.7 | 84.0 | 72 | 84 | 6205 | 6205 | E | 11.71 | CD0005 | 47 |
| 0.5 | 0.37 | 1740 | 56C | TENV | CSSEWDM3538 | 0.75 | 5.8 | 1.5 | 80.9 | 81.5 | 72 | 80 | 6205 | 6205 | E | 11.71 | CD0005 | 47 |
| 0.75 | 0.55 | 3500 | 56C | TENV | CSSEWDM3541 | 1.0 | 10.4 | 1.13 | 86.8 | 86.5 | 79 | 85 | 6205 | 6205 | E | 11.71 | CD0005 | 51 |
| 0.75 | 0.55 | 1740 | 56C | TENV | CSSEWDM3542 | 1.0 | 9.1 | 2.26 | 78.3 | 84.0 | 76 | 81 | 6205 | 6205 | E | 12.71 | CD0005 | 55 |
| 1 | 0.75 | 3450 | 56C | TENV | CSSEWDM3545 | 1.48 | 18.3 | 1.5 | 81.5 | 82.5 | 73 | 80 | 6205 | 6205 | E | 12.71 | CD0005 | 54 |
| 1 | 0.75 | 1760 | 56C | TENV | CSSEWDM3546 | 1.48 | 15.0 | 3.06 | 87.2 | 87.5 | 63 | 72 | 6205 | 6205 | E1 | 12.71 | CD0005 | 54 |
| 1 | 0.75 | 1760 | 143TC | TENV | CSSEWDM3546T | 1.4 | 15.0 | 3.06 | 87.2 | 87.5 | 63 | 72 | 6205 | 6205 | E1 | 12.77 | CD0005 | 56 |
| 1.5 | 1.1 | 3500 | 56C | TENV | CSSEWDM3550 | 1.8 | 20.6 | 2.31 | 85.2 | 85.5 | 86 | 90 | 6205 | 6205 | E | 13.59 | CD0005 | 62 |
| 1.5 | 1.1 | 3500 | 145TC | TENV | CSSEWDM3550T | 1.8 | 20.6 | 2.31 | 85.2 | 88.5 | 86 | 90 | 6205 | 6205 | E | 13.65 | CD0005 | 64 |
| 1.5 | 1.1 | 1765 | 56C | TEFC | CSSEWDM3554 | 2.5 | 20.0 | 4.54 | 88.2 | 88.5 | 66 | 74 | 6205 | 6205 | E1 | 14.75 | CD0005 | 61 |
| 1.5 | 1.1 | 1765 | 145TC | TEFC | CSSEWDM3554T | 2.5 | 20.0 | 4.54 | 88.2 | 88.5 | 66 | 74 | 6205 | 6205 | E1 | 14.81 | CD0005 | 62 |
| 2 | 1.5 | 3500 | 145TC | TEFC | CSSEWDM3555T | 2.5 | 31.0 | 3.0 | 86.0 | 86.5 | 85 | 90 | 6205 | 6205 | E | 14.81 | CD0005 | 67 |
| 2 | 1.5 | 1755 | 56C | TEFC | CSSEWDM3558 | 2.8 | 28.1 | 6.05 | 84.8 | 85.5 | 70 | 78 | 6205 | 6205 | E | 14.75 | CD0005 | 61 |
| 2 | 1.5 | 1740 | 145TC | TEFC | CSSEWDM3558T | 2.72 | 24.9 | 6.05 | 88.7 | 88.5 | 70 | 78 | 6205 | 6205 | E1 | 14.81 | CD0005 | 61 |
| 3 | 2.2 | 3470 | 145TC | TEFC | CSSEWDM3559T | 3.7 | 48.3 | 4.5 | 87.2 | 86.5 | 87 | 91 | 6205 | 6205 | E | 16.19 | CD0005 | 79 |
| 3 | 2.2 | 1760 | 182TC | TEFC | CSSEWDM3611T | 4.0 | 32.0 | 9.0 | 90.0 | 89.5 | 74 | 80 | 6206 | 6206 | E | 17.75 | CD0005 | 101 |
| 5 | 3.7 | 3500 | 184TC | TEFC | CSSEWDM3613T | 5.6 | 62.5 | 7.5 | 89.9 | 89.5 | 92 | 95 | 6206 | 6206 | E | 17.75 | CD0005 | 107 |
| 5 | 3.7 | 1750 | 184TC | TEFC | CSSEWDM3615T | 6.4 | 54.0 | 15.0 | 91.3 | 91.3 | 74 | 81 | 6206 | 6206 | E | 19.25 | CD0005 | 123 |
| 7.5 | 5.6 | 3500 | 213T | TEFC | CSSEWDM3709T | 8.3 | 87.0 | 11.5 | 92.1 | 91.0 | 90 | 93 | 6307 | 6307 | E | 20.43 | CD0005 | 178 |
| 7.5 | 5.6 | 1770 | 213T | TEFC | CSSEWDM3710T | 9.5 | 73.0 | 22.3 | 92.2 | 92.2 | 75 | 81 | 6307 | 6307 | F | 21.62 | CD0005 | 182 |
| 10 | 7.5 | 3500 | 215T | TEFC | CSSEWDM3711T | 10.6 | 115 | 15.0 | 92.4 | 91.7 | 91 | 94 | 6307 | 6307 | E | 21.62 | CD0005 | 184 |
| 10 | 7.5 | 1770 | 215T | TEFC | CSSEWDM3714T | 12.5 | 105 | 29.9 | 93.1 | 93.1 | 76 | 81 | 6307 | 6307 | E | 23.06 | CD0005 | 187 |

NOTE: Volt Code: E = 208-230/460V, 60Hz; E1 = 230/460V, 60Hz, usable at 208V; F = 230/460V, 60 Hz.
See page 42 for Connection Diagrams. Efficiencies shown are nominal.
Data subject to change without notice. Contact Baldor for certified data.
See page 28 for dimensions.

SSE™ Super-E® Washdown Duty Stainless Motors continued...



**Performance Data: TEFC - Totally Enclosed Fan Cooled,
TENV - Totally Enclosed Non-Ventilated, 230/460 Volts, Three Phase, 1 through 10 Hp**

| HP | KW | RPM | Frame | Encl. | Catalog No | Amps | | Fl Tq | Efficiency | | Power Factor | | Bearings | | Volt Code | "C" Dim. | Conn Dia | Aprx. Wt. |
|---------------------------------|------|------|-------|-------|--------------|------|------|-------|------------|------|--------------|----|----------|------|-----------|----------|----------|-----------|
| | | | | | | FL | LR | Lb-Ft | 3/4 | FL | 3/4 | FL | DE | ODE | | | | |
| Super-E C-face less base | | | | | | | | | | | | | | | | | | |
| 0.5 | 0.37 | 3500 | 56C | TENV | VSSEWDM3537 | 0.7 | 7.4 | 0.76 | 83.7 | 84.0 | 72 | 84 | 6205 | 6205 | E | 11.71 | CD0005 | 47 |
| 0.5 | 0.37 | 1740 | 56C | TENV | VSSEWDM3538 | 0.75 | 5.8 | 1.5 | 80.9 | 81.5 | 72 | 80 | 6205 | 6205 | E | 11.71 | CD0005 | 47 |
| 0.75 | 0.55 | 3500 | 56C | TENV | VSSEWDM3541 | 1.0 | 10.4 | 1.13 | 86.8 | 86.5 | 79 | 85 | 6205 | 6205 | E | 11.71 | CD0005 | 51 |
| 0.75 | 0.55 | 1740 | 56C | TENV | VSSEWDM3542 | 1.0 | 9.1 | 2.26 | 78.3 | 84.0 | 76 | 81 | 6205 | 6205 | E | 12.71 | CD0005 | 55 |
| 1 | 0.75 | 3450 | 56C | TENV | VSSEWDM3545 | 1.48 | 18.3 | 1.5 | 81.5 | 82.5 | 73 | 80 | 6205 | 6205 | E | 12.71 | CD0005 | 54 |
| 1 | 0.75 | 1760 | 56C | TENV | VSSEWDM3546 | 1.48 | 15.0 | 3.06 | 87.2 | 87.5 | 63 | 72 | 6205 | 6205 | E1 | 12.71 | CD0005 | 54 |
| 1 | 0.75 | 1760 | 143TC | TENV | VSSEWDM3546T | 1.4 | 15.0 | 3.06 | 87.2 | 87.5 | 63 | 72 | 6205 | 6205 | E1 | 12.77 | CD0005 | 56 |
| 1.5 | 1.1 | 3500 | 56C | TENV | VSSEWDM3550 | 1.8 | 20.6 | 2.31 | 85.2 | 85.5 | 86 | 90 | 6205 | 6205 | E | 13.59 | CD0005 | 62 |
| 1.5 | 1.1 | 3500 | 145TC | TENV | VSSEWDM3550T | 1.8 | 20.6 | 2.31 | 85.2 | 88.5 | 86 | 90 | 6205 | 6205 | E | 13.65 | CD0005 | 64 |
| 1.5 | 1.1 | 1765 | 56C | TEFC | VSSEWDM3554 | 2.5 | 20.0 | 4.54 | 88.2 | 88.5 | 66 | 74 | 6205 | 6205 | E1 | 14.75 | CD0005 | 61 |
| 1.5 | 1.1 | 1765 | 145TC | TEFC | VSSEWDM3554T | 2.5 | 20.0 | 4.54 | 88.2 | 88.5 | 66 | 74 | 6205 | 6205 | E1 | 14.81 | CD0005 | 62 |
| 2 | 1.5 | 3500 | 145TC | TEFC | VSSEWDM3555T | 2.5 | 31.0 | 3.0 | 86.0 | 86.5 | 85 | 90 | 6205 | 6205 | E | 14.81 | CD0005 | 67 |
| 2 | 1.5 | 1755 | 56C | TEFC | VSSEWDM3558 | 2.8 | 28.1 | 6.05 | 84.8 | 85.5 | 70 | 78 | 6205 | 6205 | E | 14.75 | CD0005 | 61 |
| 2 | 1.5 | 1740 | 145TC | TEFC | VSSEWDM3558T | 2.72 | 24.9 | 6.05 | 88.7 | 88.5 | 70 | 78 | 6205 | 6205 | E1 | 14.81 | CD0005 | 61 |

NOTE: Volt Code: E = 208-230/460V, 60Hz; E1 = 230/460V, 60Hz, usable at 208V; F = 230/460V, 60 Hz.
See page 42 for Connection Diagrams. Efficiencies shown are nominal. Data subject to change without notice. Contact Baldor for certified data.
See page 28 for dimensions.

IEC SSE Washdown Duty™ Stainless Motors



Over the years, Baldor has worked with industry leaders in food processing to design Washdown Duty motors that meet and exceed their application demands.

Our new Stainless Super-E® Washdown Duty motors are another example of the best getting better. Baldor's SSE™ Stainless Super-E is designed to perform longer than any other industrial electric motor available today, in the most corrosive and caustic applications subjected to frequent high-pressure sanitizing (IP56).

With unmatched quality and superior reliability, Baldor's new SSE Stainless Super-E motors have again set the standard that all other washdown duty motors will be judged against.



**Performance Data:
240/380-415 and 380-415 Volts, Three Phase, 50 Hz, 0.37 through 1.5 kW**

| kW | RPM | IEC Frame | Catalog Number | Amps FL | Efficiency FL | Power Factor FL | Voltage Code | Length mm (in) | Connection Diagram | Bearing Each End |
|--------------------------------|------|-----------|--------------------|---------|---------------|-----------------|--------------|----------------|--------------------|------------------|
| B14 C-Face with B3 Base | | | | | | | | | | |
| 1.1 | 1460 | D90C | CSSEWDM90114C-57 | 2.5 | 88.5 | 74 | R | 365 (14.36) | CD0022 | 6205 |
| 1.5 | 1450 | D90C | CSSEWDM90154C-57 | 3.2 | 88.5 | 78 | R | 400 (15.74) | CD0022 | 6205 |
| B5 Flange without Base | | | | | | | | | | |
| 0.37 | 1450 | D80D | VSSEWDM80044D-57 ■ | 0.8 | 80.0 | 82 | R | 277 (10.92) | CD0022 | 6205 |
| 0.55 | 1440 | D80D | VSSEWDM80064D-57 ■ | 1.2 | 81.5 | 82 | R | 303 (11.92) | CD0022 | 6205 |
| 0.75 | 1440 | D80D | VSSEWDM80084D-57 ■ | 1.9 | 75.5 | 73 | R | — | CD0022 | 6205 |
| 1.1 | 1440 | D90D | VSSEWDM90114D-57 | 2.3 | 85.9 | 80 | R | — | CD0022 | 6205 |
| 1.5 | 1440 | D90D | VSSEWDM90154D-57 | 3.1 | 87.0 | 80 | R | — | CD0022 | 6205 |

NOTE: R = 240 / 380-415 volts 50 Hz, usable on 460 volt 60 Hz. S = 380-415 volts 50 Hz, usable on 460 volt 60 Hz.
Full load amps @ 400 volt nominal – 50 Hz.

■ = TENV, others TEFC

Above data subject to revision without notice

All Stainless Motors

In applications where additional protection is required against highly corrosive environments, Baldor's All Stainless Washdown Duty motors are the answer. Typical applications include outdoor installations, or applications where particularly corrosive agents are being processed or used for washdowns, as in pharmaceuticals. Features include 300 Series stainless steel on all external surfaces, encapsulated windings, and a labyrinth seal on both ends of the shaft extension to protect motor bearings by rotating and expelling contaminants.



Performance Data: TEFC - Totally Enclosed Fan Cooled, TENV - Totally Enclosed Non-Ventilated, 230/460 Volts, Three Phase, 1 through 20 Hp

| Hp | kW | RPM | Frame | Encl. | Catalog No. | Amps @ High V | | Full Load Torque Lb. Ft. | Efficiency % | | Power Factor % | | Bearings | | Volt Code | "C" Dim. | Conn. Diag. No. | Aprx. Wt. |
|-------------------------|------|------|-------|-------|---------------|---------------|--------------|--------------------------|--------------|-----------|----------------|-----------|----------|------|-----------|----------|-----------------|-----------|
| | | | | | | Full Load | Locked Rotor | | 3/4 | Full Load | 3/4 | Full Load | DE | ODE | | | | |
| C-face with base | | | | | | | | | | | | | | | | | | |
| 0.5 | 0.37 | 3450 | 56C | TENV | CSSWDM3537 | 0.9 | 6.0 | .75 | 66.9 | 70.0 | 72 | 76 | 6205 | 6203 | E | 11.09 | CD0005 | 34 |
| 0.5 | 0.37 | 1750 | 56C | TENV | CSSWDM3538 | 0.8 | 6.5 | 1.5 | 73.6 | 75.5 | 68 | 76 | 6205 | 6203 | E1 | 11.09 | CD0005 | 37 |
| 0.75 | 0.56 | 3450 | 56C | TENV | CSSWDM3541 | 1.1 | 11.7 | 1.1 | 78.7 | 80.0 | 73 | 80 | 6205 | 6203 | E1 | 11.09 | CD0005 | 40 |
| 0.75 | 0.56 | 1750 | 56C | TENV | CSSWDM3542 | 1.0 | 9.6 | 2.3 | 77.5 | 78.5 | 71 | 80 | 6205 | 6203 | E | 12.09 | CD0005 | 44 |
| 1 | 0.75 | 3450 | 56C | TENV | CSSWDM3545 | 1.3 | 18.3 | 1.5 | 83.1 | 82.5 | 82 | 88 | 6205 | 6203 | F | 11.09 | CD0005 | 39 |
| 1 | 0.75 | 1740 | 56C | TENV | CSSWDM3546 | 1.4 | 10.7 | 3.0 | 87.0 | 85.5 | 74 | 81 | 6205 | 6203 | E | 11.09 | CD0005 | 45 |
| 1.5 | 1.1 | 3500 | 56C | TENV | CSSWDM3550 | 2.0 | 23.5 | 2.3 | 85.2 | 85.5 | 81 | 87 | 6205 | 6203 | F | 12.09 | CD0005 | 50 |
| 1.5 | 1.1 | 1750 | 56C | TEFC | CSSWDM3554 | 2.1 | 20 | 4.5 | 86.2 | 85.5 | 74 | 80 | 6205 | 6203 | E | 13.34 | CD0005 | 53 |
| 1.5 | 1.1 | 1750 | 145TC | TEFC | CSSWDM3554T | 2.1 | 20.0 | 4.5 | 86.2 | 85.5 | 74 | 80 | 6205 | 6203 | E | 13.42 | CD0005 | 53 |
| 2 | 1.5 | 3450 | 145TC | TEFC | CSSWDM3555T | 2.6 | 30.0 | 3.0 | 82.5 | 84.0 | 83 | 87 | 6205 | 6203 | E | 14.30 | CD0005 | 59 |
| 2 | 1.5 | 1725 | 56C | TEFC | CSSWDM3558 | 2.8 | 22.0 | 6.1 | 86.5 | 84.0 | 71 | 78 | 6205 | 6203 | F | 13.34 | CD0005 | 55 |
| 2 | 1.5 | 1725 | 145TC | TEFC | CSSWDM3558T | 2.8 | 22.0 | 6.1 | 86.5 | 84.0 | 71 | 78 | 6205 | 6203 | F | 13.42 | CD0005 | 56 |
| 3 | 2.2 | 3450 | 145TC | TEFC | CSSWDM3559T | 3.7 | 40.5 | 4.5 | 85.1 | 85.5 | 86 | 89 | 6205 | 6203 | E1 | 13.42 | CD0005 | 61 |
| 3 | 2.2 | 3450 | 182TC | TEFC | CSSWDM3610T | 3.7 | | 4.5 | | 85.1 | | 89 | 6206 | 6205 | E1 | 15.61 | CD0005 | 89 |
| 3 | 2.2 | 1760 | 182TC | TEFC | CESSWDM3611T | 4.0 | 32.0 | 9.0 | 90.0 | 89.5 | 74 | 80 | 6206 | 6205 | F | 16.82 | CD0005 | 91 |
| 3 | 2.2 | 1760 | 182TC | TEFC | CSSWDM3611T | 4.1 | 32.0 | 9.0 | 88.2 | 87.5 | 63 | 77 | 6206 | 6205 | E | 16.82 | CD0005 | 89 |
| 5 | 3.7 | 3480 | 184TC | TEFC | CESSWDM3613T | 5.7 | 69.6 | 7.5 | 90.6 | 90.2 | 87 | 91 | 6206 | 6205 | F | 18.32 | CD0005 | 103 |
| 5 | 3.7 | 3450 | 184TC | TEFC | CSSWDM3613T | 5.7 | 64.0 | 7.5 | 88.2 | 87.5 | 91 | 93 | 6206 | 6205 | E | 16.82 | CD0005 | 95 |
| 5 | 3.7 | 1750 | 184TC | TEFC | CESSWDM3615T | 6.4 | 54.0 | 15.0 | 90.9 | 90.2 | 74 | 81 | 6206 | 6205 | E1 | 18.32 | CD0005 | 115 |
| 5 | 3.7 | 1750 | 184TC | TEFC | CSSWDM3615T | 6.5 | 48.0 | 15.0 | 88.4 | 87.5 | 73 | 80 | 6206 | 6205 | E | 18.32 | CD0005 | 109 |
| 5 | 3.7 | 3500 | 213TC | TEFC | CESSWDM3709T | 8.3 | 87.0 | 11.5 | 92.1 | 91.0 | 90 | 93 | 6307 | 6206 | F | 19.03 | CD0005 | 164 |
| 7.5 | 5.6 | 3525 | 213TC | TEFC | CSSWDM3709T | 8.9 | 75.0 | 11.2 | 88.4 | 88.5 | 85 | 88 | 6307 | 6206 | E | 19.03 | CD0005 | 157 |
| 7.5 | 5.6 | 1770 | 213TC | TEFC | CESSWDM3710T | 9.5 | 73.0 | 22.3 | 92.2 | 91.7 | 75 | 81 | 6307 | 6206 | F | 20.16 | CD0005 | 157 |
| 7.5 | 5.6 | 1760 | 213TC | TEFC | CSSWDM3710T | 10.0 | 82.0 | 22.0 | 84.7 | 89.5 | 73 | 80 | 6307 | 6206 | E | 20.16 | CD0005 | 152 |
| 10 | 7.5 | 3500 | 215TC | TEFC | CESSWDM3711T | 10.6 | 115 | 15.0 | 92.4 | 91.7 | 91 | 94 | 6307 | 6206 | E1 | 20.16 | CD0005 | 185 |
| 10 | 7.5 | 3450 | 215TC | TEFC | CSSWDM3711T | 11.9 | 115 | 14.9 | 89.4 | 89.5 | 85 | 88 | 6307 | 6206 | E | 20.16 | CD0005 | 174 |
| 10 | 7.5 | 1770 | 215TC | TEFC | CESSWDM3714T | 12.5 | 105 | 29.9 | 93.1 | 92.4 | 76 | 81 | 6307 | 6206 | F | 21.66 | CD0005 | 158 |
| 10 | 7.5 | 1760 | 215TC | TEFC | CSSWDM3714T | 13.0 | 119 | 29.9 | 88.8 | 89.5 | 73 | 76 | 6307 | 6206 | E | 20.91 | CD0005 | 187 |
| 15 | 11.1 | 3500 | 254TC | TEFC | CESSWDM23994T | 17.6 | | 22.6 | | 91.7 | | 91 | 6309 | 6208 | F | 24.67 | CD0005 | 240 |
| 15 | 11.1 | 1780 | 254TC | TEFC | CESSWDM23933T | 18 | | 42.6 | | 92.4 | | 89 | 6309 | 6208 | F | 24.67 | CD0005 | 246 |
| 20 | 15 | 3500 | 256TC | TEFC | CESSWDM41906T | 23 | | 30.0 | | 92.4 | | 90 | 6309 | 6208 | F | 24.67 | CD0005 | 292 |
| 20 | 15 | 1780 | 256TC | TEFC | CESSWDM23934T | 24 | | 60.0 | | 93.0 | | 89 | 6309 | 6208 | F | 24.67 | CD0005 | 300 |
| C-face less base | | | | | | | | | | | | | | | | | | |
| 0.5 | 0.37 | 3450 | 56C | TENV | VSSWDM3537 | 0.9 | 6.0 | .75 | 66.9 | 70.0 | 72 | 76 | 6205 | 6203 | E | 11.09 | CD0005 | 34 |
| 0.5 | 0.37 | 1750 | 56C | TENV | VSSWDM3538 | 0.8 | 6.5 | 1.5 | 73.6 | 75.5 | 68 | 76 | 6205 | 6203 | E1 | 11.09 | CD0005 | 37 |
| 0.5 | 0.37 | 1750 | 56C | TEFC | VSSFWD3538 | 0.8 | 6.5 | 1.5 | 73.6 | 75.5 | 68 | 76 | 6205 | 6203 | E1 | 12.88 | CD0005 | 43 |
| 0.75 | 0.56 | 3450 | 56C | TENV | VSSWDM3541 | 1.1 | 11.7 | 1.1 | 78.7 | 80.0 | 73 | 80 | 6205 | 6203 | E | 11.09 | CD0005 | 40 |
| 0.75 | 0.56 | 1750 | 56C | TENV | VSSWDM3542 | 1.0 | 9.6 | 2.3 | 77.5 | 78.5 | 71 | 80 | 6205 | 6203 | E | 12.09 | CD0005 | 44 |
| 0.75 | 0.56 | 1750 | 56C | TEFC | VSSFWD3542 | 1.0 | 9.6 | 2.3 | 77.5 | 75.5 | 71 | 80 | 6205 | 6203 | E | 12.88 | CD0005 | 45 |
| 1 | 0.75 | 3450 | 56C | TENV | VSSWDM3545 | 1.3 | 12.4 | 1.5 | 83.1 | 82.5 | 82 | 88 | 6205 | 6203 | F | 11.09 | CD0005 | 38 |
| 1 | 0.75 | 1740 | 56C | TENV | VSSWDM3546 | 1.4 | 10.7 | 3.0 | 87.0 | 85.5 | 74 | 81 | 6205 | 6203 | E | 12.09 | CD0005 | 47 |
| 1 | 0.75 | 1740 | 56C | TEFC | VSSFWD3546 | 1.4 | 10.7 | 3.0 | 87.0 | 85.5 | 74 | 81 | 6205 | 6203 | E | 14.94 | CD0005 | 49 |
| 1.5 | 1.1 | 3500 | 56C | TENV | VSSWDM3550 | 2.0 | 23.5 | 2.3 | 85.2 | 85.5 | 81 | 87 | 6205 | 6203 | F | 12.09 | CD0005 | 49 |
| 1.5 | 1.1 | 1750 | 145TC | TEFC | VSSWDM3554T | 2.1 | 20.0 | 4.5 | 86.2 | 85.5 | 74 | 80 | 6205 | 6203 | E | 13.42 | CD0005 | 51 |
| 2 | 1.5 | 3450 | 145TC | TEFC | VSSWDM3555T | 2.6 | 30.0 | 3.0 | 82.5 | 84.0 | 83 | 87 | 6205 | 6203 | E | 14.30 | CD0005 | 57 |
| 2 | 1.5 | 1725 | 145TC | TEFC | VSSWDM3558T | 2.8 | 22.0 | 6.0 | 86.5 | 84.0 | 71 | 78 | 6205 | 6203 | F | 13.42 | CD0005 | 52 |
| 3 | 2.2 | 3450 | 145TC | TEFC | VSSWDM3559T | 3.7 | 37.5 | 4.5 | 85.1 | 85.5 | 86 | 89 | 6205 | 6203 | E1 | 13.42 | CD0005 | 57 |
| 3 | 2.2 | 1760 | 182TC | TEFC | VSSWDM3611T | 4.1 | 31.2 | 9.0 | 88.2 | 87.5 | 63 | 77 | 6206 | 6205 | E | 16.82 | CD0005 | 86 |
| 5 | 3.7 | 3450 | 184TC | TEFC | VSSWDM3613T | 5.7 | 64.0 | 7.5 | 88.2 | 87.5 | 91 | 93 | 6206 | 6205 | E | 16.82 | CD0005 | 92 |
| 5 | 3.7 | 1750 | 184TC | TEFC | VSSWDM3615T | 6.5 | 48.0 | 15.0 | 88.4 | 87.5 | 73 | 80 | 6206 | 6205 | E | 18.32 | CD0005 | 108 |

NOTE: Volt Code: E = 208-230/460V, 60Hz; E1 = 230/460V, 60Hz, usable at 208V; F = 230/460V, 60 Hz. Efficiencies shown are nominal. See page 42 for Connection Diagrams. See pages 28 and 33 for dimensions. Data subject to change without notice. Contact Baldor for certified data.



Paint Free Motors

Baldor “Paint-Free” Washdown Duty motors are designed for applications where use of caustic cleaning solutions and regular high-pressure wash downs may compromise the surface of a painted motor. Features include special processed cast endplates; 300 Series stainless steel motor frame, base, shaft and hardware; encapsulated windings; and a labyrinth seal on the drive end shaft extension to protect motor bearings by rotating and expelling contaminants. CES and VES motors are Super-E® with NEMA Premium® efficiency and 3-year warranty.



Performance Data: TEFC - Totally Enclosed Fan Cooled, TENV - Totally Enclosed Non-Ventilated, 230/460 Volts, Three Phase, 1 through 10 Hp

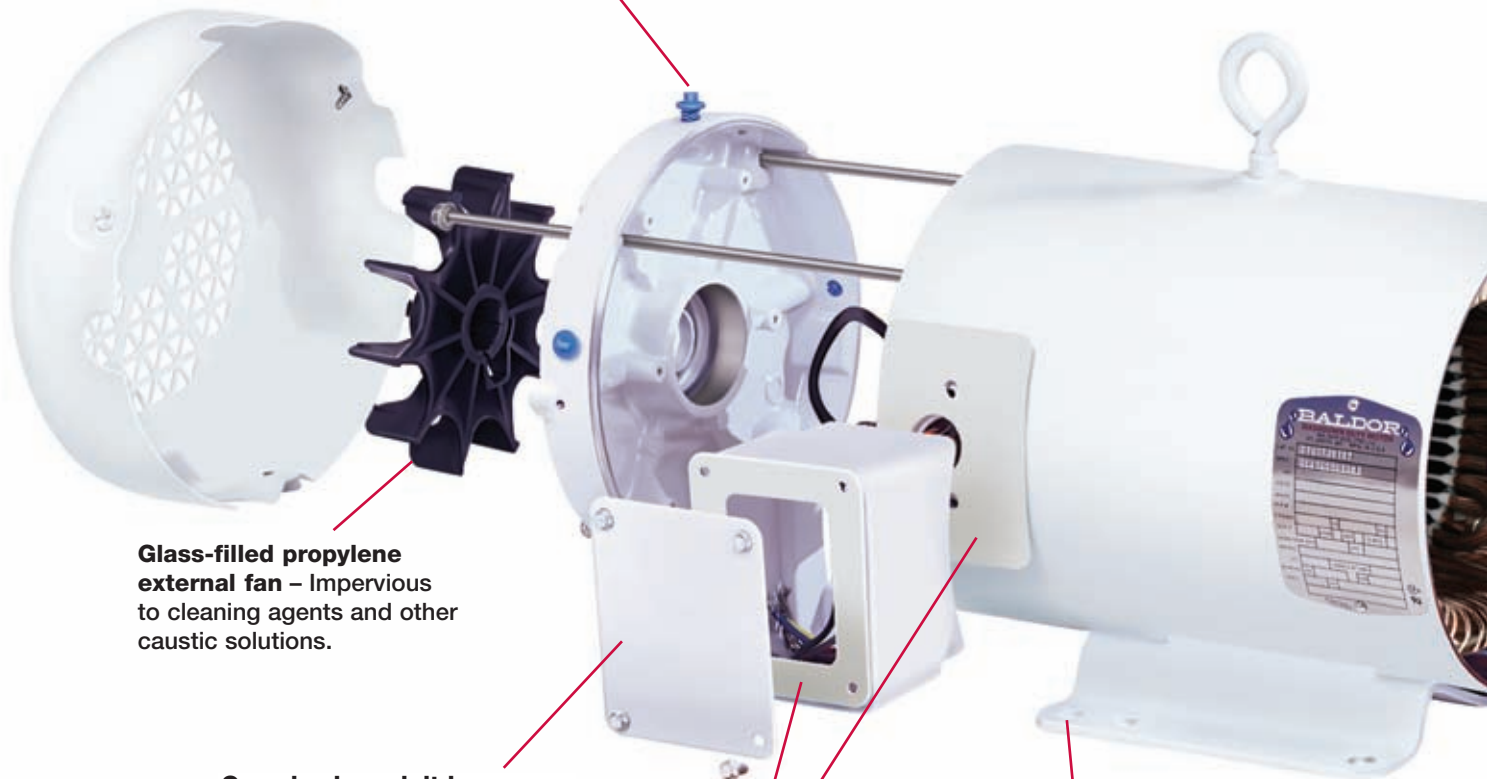
| Hp | kW | RPM | Frame | Encl. | Catalog No. | Amps @ High V | | Full Load Torque Lb. Ft. | Efficiency % | | | Power Factor % | | | Bearings | | Volt Code | “C” Dim. | Conn. Diag. No. |
|---------------------------|------|------|-------|-------|-------------|---------------|--------------|--------------------------|--------------|------|-----------|----------------|-----|-----------|----------|------|-----------|----------|-----------------|
| | | | | | | Full Load | Locked Rotor | | 1/2 | 3/4 | Full Load | 1/2 | 3/4 | Full Load | DE | ODE | | | |
| Paint Free Super-E | | | | | | | | | | | | | | | | | | | |
| 1 | 0.75 | 1740 | 56C | TEMV | CESWDM3546 | 1.4 | 10.7 | 3.0 | 86.3 | 87.0 | 85.5 | 62 | 74 | 81 | 6205 | 6203 | E | 12.07 | CD0005 |
| 1.5 | 1.1 | 1740 | 145TC | TEMV | CESWDM3554T | 2.0 | 17.6 | 4.5 | 87.7 | 88.3 | 86.5 | 61 | 74 | 81 | 6205 | 6203 | E1 | 12.95 | CD0005 |
| 2 | 1.5 | 1725 | 145TC | TEFC | CESWDM3558T | 2.7 | 19.6 | 6.0 | 88.1 | 88.1 | 86.5 | 66 | 77 | 82 | 6205 | 6203 | E | 14.19 | CD0005 |
| 3 | 2.2 | 1760 | 182TC | TEFC | CESWDM3611T | 4.0 | 33.0 | 9.0 | 88.4 | 89.7 | 89.5 | 61 | 72 | 78 | 6206 | 6205 | E | 16.56 | CD0005 |
| 5 | 3.7 | 1750 | 184TC | TEFC | CESWDM3615T | 6.5 | 53.7 | 15.0 | 89.7 | 90.7 | 90.2 | 62 | 74 | 80 | 6206 | 6205 | E1 | 18.04 | CD0005 |
| 7.5 | 5.6 | 1770 | 213TC | TEFC | CESWDM3710T | 10.2 | 72.0 | 22.2 | 90.5 | 91.8 | 91.7 | 56 | 68 | 76 | 6307 | 6206 | E1 | 19.81 | CD0005 |
| 10 | 7.5 | 1760 | 215TC | TEFC | CESWDM3714T | 15.0 | 104 | 30.0 | 91.0 | 92.2 | 91.7 | 56 | 70 | 75 | 6307 | 6206 | F | 21.31 | CD0005 |
| C-face with base | | | | | | | | | | | | | | | | | | | |
| 0.5 | 0.37 | 1725 | 56C | TEMV | CSWDM3538 | 0.8 | 6.25 | 1.5 | 72.4 | 76.2 | 75.5 | 64 | 76 | 83 | 6205 | 6203 | E | 11.07 | CD0005 |
| 0.75 | 0.56 | 1725 | 56C | TEMV | CSWDM3542 | 1.1 | 8.50 | 2.3 | 77.9 | 79.9 | 80.0 | 55 | 71 | 81 | 6205 | 6203 | E | 11.07 | CD0005 |
| 1 | 0.75 | 1725 | 56C | TEMV | CSWDM3546 | 1.6 | 11.3 | 3.0 | 75.4 | 79.3 | 81.5 | 58 | 71 | 74 | 6205 | 6203 | E | 12.07 | CD0005 |
| 1 | 0.75 | 1725 | 143TC | TEMV | CSWDM3546T | 1.6 | 11.3 | 3.0 | 75.4 | 79.3 | 81.5 | 58 | 71 | 74 | 6205 | 6203 | E | 12.12 | CD0005 |
| 1.5 | 1.1 | 1725 | 56C | TEMV | CSWDM3554 | 2.1 | 18.3 | 4.5 | 78.0 | 81.7 | 82.5 | 65 | 72 | 82 | 6205 | 6203 | E | 12.24 | CD0005 |
| 1.5 | 1.1 | 1725 | 145TC | TEMV | CSWDM3554T | 2.1 | 18.3 | 4.5 | 78.0 | 81.7 | 82.5 | 65 | 72 | 82 | 6205 | 6203 | E | 13.00 | CD0005 |
| 2 | 1.5 | 1725 | 56C | TEFC | CSWDM3558 | 2.8 | 22.0 | 6.0 | 85.8 | 86.5 | 84.0 | 57 | 71 | 78 | 6205 | 6203 | F | 13.24 | CD0005 |
| 2 | 1.5 | 1725 | 145TC | TEFC | CSWDM3558T | 2.8 | 22.0 | 6.0 | 85.8 | 86.5 | 84.0 | 57 | 71 | 78 | 6205 | 6203 | F | 13.30 | CD0005 |
| 3 | 2.2 | 1750 | 182TC | TEFC | CSWDM3611T | 4.1 | 32.4 | 8.9 | 86.1 | 87.8 | 87.5 | 59 | 71 | 78 | 6206 | 6205 | E | 16.56 | CD0005 |
| 5 | 3.7 | 1750 | 184TC | TEFC | CSWDM3615T | 6.5 | 48.0 | 15.0 | 88.3 | 88.4 | 87.5 | 61 | 73 | 80 | 6206 | 6205 | E | 18.06 | CD0005 |
| 7.5 | 5.6 | 1760 | 213TC | TEFC | CSWDM3710T | 10.0 | 82.0 | 22.0 | 82.1 | 81.7 | 89.5 | 61 | 73 | 80 | 6307 | 6206 | E | 19.81 | CD0005 |
| 10 | 7.5 | 1760 | 215TC | TEFC | CSWDM3714T | 13.0 | 119 | 29.9 | 86.4 | 88.8 | 89.5 | 61 | 73 | 76 | 6307 | 6206 | E | 20.56 | CD0005 |
| Paint Free Super-E | | | | | | | | | | | | | | | | | | | |
| 1 | 0.75 | 1740 | 56C | TEMV | VESWDM3546 | 1.4 | 10.7 | 3.0 | 86.3 | 87.0 | 85.5 | 62 | 74 | 81 | 6205 | 6203 | E | 12.07 | CD0005 |
| 1.5 | 1.1 | 1740 | 56C | TEMV | VESWDM3554 | 2.0 | 17.6 | 4.5 | 87.7 | 88.3 | 86.5 | 61 | 74 | 81 | 6205 | 6203 | E1 | 12.95 | CD0005 |
| 1.5 | 1.1 | 1740 | 145TC | TEMV | VESWDM3554T | 2.0 | 17.6 | 4.5 | 87.7 | 88.3 | 86.5 | 61 | 74 | 81 | 6205 | 6203 | E1 | 13.00 | CD0005 |
| 2 | 1.5 | 1725 | 145TC | TEFC | VESWDM3558T | 2.7 | 19.6 | 6.0 | 88.1 | 88.1 | 86.5 | 66 | 74 | 82 | 6205 | 6203 | E | 14.19 | CD0005 |
| C-face less base | | | | | | | | | | | | | | | | | | | |
| 0.5 | 0.37 | 1725 | 56C | TEMV | VSWDM3538 | 0.8 | 6.25 | 1.5 | 72.4 | 76.2 | 75.5 | 64 | 76 | 83 | 6205 | 6203 | E | 11.07 | CD0005 |
| 0.75 | 0.56 | 1725 | 56C | TEMV | VSWDM3542 | 1.1 | 8.50 | 2.3 | 77.9 | 79.9 | 80.0 | 55 | 71 | 81 | 6205 | 6203 | E | 11.07 | CD0005 |
| 1 | 0.75 | 1725 | 56C | TEMV | VSWDM3546 | 1.6 | 11.3 | 3.0 | 75.4 | 79.3 | 81.5 | 58 | 71 | 74 | 6205 | 6203 | E | 12.07 | CD0005 |
| 1 | 0.75 | 1725 | 143TC | TEMV | VSWDM3546T | 1.6 | 11.3 | 3.0 | 75.4 | 79.3 | 81.5 | 58 | 71 | 74 | 6205 | 6203 | E | 12.12 | CD0005 |
| 1.5 | 1.1 | 1725 | 56C | TEMV | VSWDM3554 | 2.1 | 18.3 | 4.5 | 78.0 | 81.7 | 82.5 | 65 | 72 | 82 | 6205 | 6203 | E | 12.95 | CD0005 |
| 1.5 | 1.1 | 1725 | 145TC | TEMV | VSWDM3554T | 2.1 | 18.3 | 4.5 | 78.0 | 81.7 | 82.5 | 65 | 72 | 82 | 6205 | 6203 | E | 13.00 | CD0005 |
| 2 | 1.5 | 1725 | 145TC | TEFC | VSWDM3558T | 3.1 | 22.0 | 6.0 | 82.2 | 83.7 | 82.5 | 59 | 72 | 77 | 6205 | 6203 | E | 13.31 | CD0005 |

NOTE: Volt Code: E = 208-230/460V, 60Hz; E1 = 230/460V, 60Hz, usable at 208V; F = 230/460V, 60 Hz. See page 42 for Connection Diagrams. Efficiencies shown are nominal. See page 28 for dimensions. Data subject to change without notice. Contact Baldor for certified data.

Baldor Washdown Duty Motors: Performance and reliability, inside and out

Maintenance-friendly drain design –

Four condensate drain holes in each endplate allow thorough drainage, regardless of motor's mounting position. Distinctive blue color of drain plugs makes them easy to recognize; new shape makes them easy to remove. Notched fan cover allows easy access to condensate drain plugs without removing fan cover. Paint-free and all stainless motors use screw-in stainless plugs.



Glass-filled propylene external fan – Impervious to cleaning agents and other caustic solutions.

Oversized conduit boxes – Exceed NEC standards; make connections easier.

Neoprene rubber gaskets on conduit box – Ensure a tight, waterproof seal.

Multiple foot mounting holes – Makes motor change-out easy.

- (1): Labyrinth seal on shaft extensions Standard on All Stainless and Paint-Free motors. Non-contacting seal protects the motor bearings by rotating and expelling contaminants. Drive end only on Paint-Free motors; both ends on All Stainless motors.
- (2): Currently available on all Paint-Free and All Stainless motors

Improved exterior paint – 5 times better!

Autophoretic® autodeposition surface preparation method makes finish coat five times more resistant to corrosion and chipping than previous methods. Withstands ASTM B117 salt spray test for over 500 hours. FDA approved epoxy powder coating electrostatically applied (inside and outside) on end-plate and conduit box for thorough corrosion prevention and long lasting finish.

Precision die cast aluminum rotor – Precision balanced and coated with an epoxy primer to resist corrosion.

Windings engineered for durability –

Double dipped and baked varnish eliminates voids provides stronger bond and improves moisture resistance. Encapsulation (2) adds another level of internal contaminant and moisture protection.

Forsheda® slinger and contact lip seal on output shaft extension (1) – An extra measure of protection to keep contaminants out.

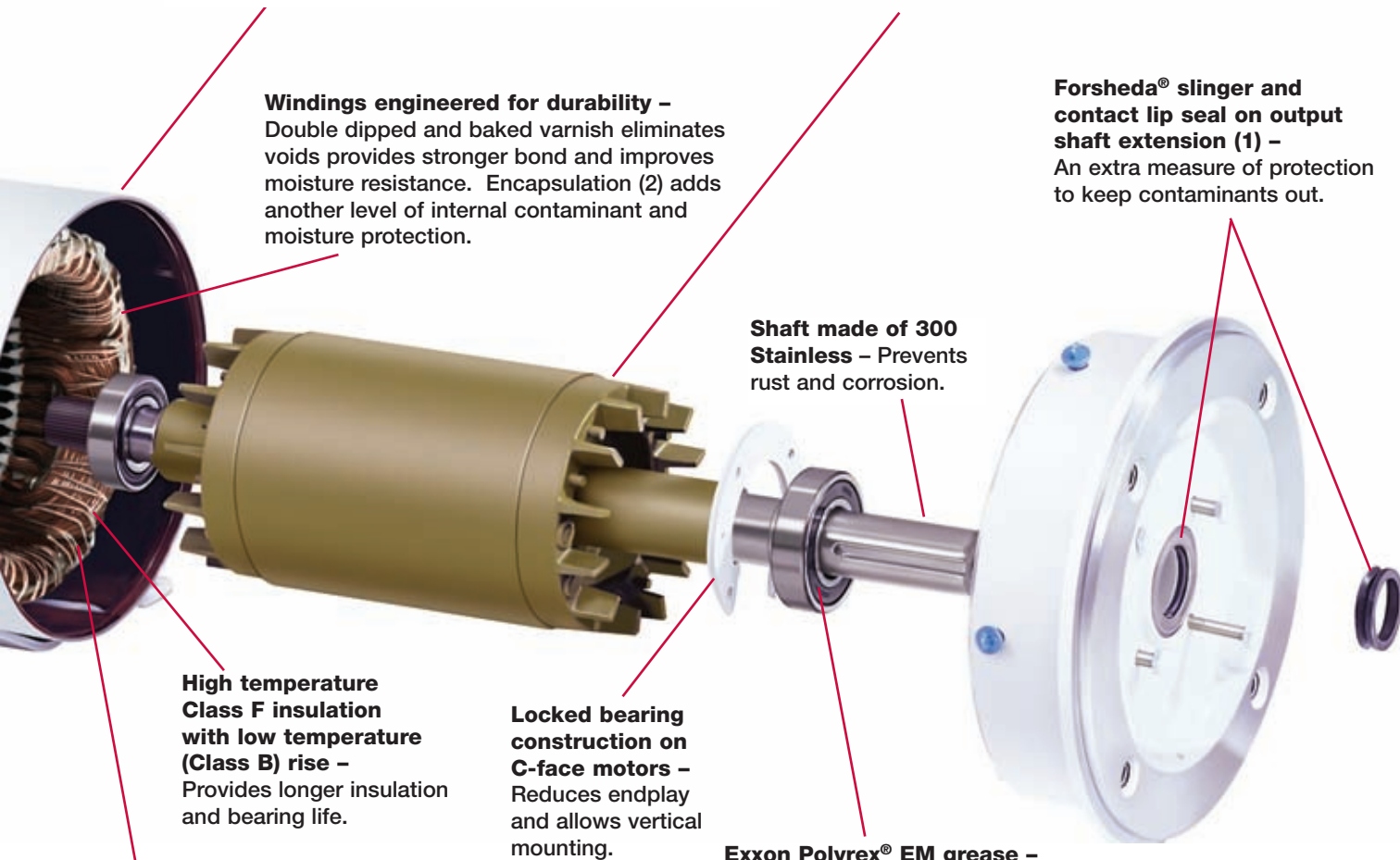
Shaft made of 300 Stainless – Prevents rust and corrosion.

High temperature Class F insulation with low temperature (Class B) rise – Provides longer insulation and bearing life.

Locked bearing construction on C-face motors – Reduces endplay and allows vertical mounting.

Exxon Polyrex® EM grease – Standard double sealed motor bearings better for improved lubrication life. PolyrexEM has greater shear stability and superior resistance to washout, rust and corrosion.

Exclusive ISR® (Inverter Spike Resistant) magnet wire – Up to 100 times more resistant to voltage spikes; provides an added thermal safety margin.



Premium Efficient Super-E® Washdown Motors

For multi-shift food and pharmaceutical processing applications, Baldor Super-E Washdown motors deliver both reliability and energy cost savings. These NEMA Premium® Inverter Ready motors share the rugged mechanical characteristics of Baldor's Standard Washdown Motors.



Performance Data: TEFC - Totally Enclosed Fan Cooled, TENV - Totally Enclosed Non-Ventilated, 230/460 Volts, Three Phase, 1 through 20 Hp

| Hp | kW | RPM | Frame | Encl. | Catalog No. | Amps @ High V | | Full Load Torque Lb. Ft. | Efficiency % | | Power Factor % | | Bearings | | Volt Code | "C" Dim. | Conn. Diag. No. | Reliance M/N |
|-------------------------|------|------|-------|-------|-------------|---------------|--------------|--------------------------|--------------|-----------|----------------|-----------|----------|------|-----------|----------|-----------------|--------------|
| | | | | | | Full Load | Locked Rotor | | 3/4 | Full Load | 3/4 | Full Load | DE | ODE | | | | |
| Rigid base | | | | | | | | | | | | | | | | | | |
| 1 | 0.75 | 1740 | 143T | TENV | EWDM3546T | 1.4 | 12.2 | 3.0 | 87.8 | 86.5 | 70 | 78 | 6205 | 6203 | E | 12.12 | CD0005 | P14X4200 |
| 1.5 | 1.1 | 1740 | 145T | TENV | EWDM3554T | 2.0 | 17.6 | 4.5 | 88.3 | 86.5 | 74 | 81 | 6205 | 6203 | E1 | 13.00 | CD0005 | P14X4201 |
| 2 | 1.5 | 1725 | 145T | TEFC | EWDM3558T | 2.7 | 19.6 | 6.0 | 88.3 | 86.5 | 76 | 82 | 6205 | 6203 | E | 14.18 | CD0005 | P14X4202 |
| 3 | 2.2 | 1760 | 182T | TEFC | EWDM3611T | 4.1 | 32.0 | 9.0 | 90.0 | 89.5 | 71 | 77 | 6206 | 6205 | E | 16.54 | CD0005 | — |
| 5 | 3.7 | 1750 | 184T | TEFC | EWDM3615T | 6.5 | 53.7 | 15.0 | 90.7 | 90.2 | 74 | 80 | 6206 | 6205 | E1 | 18.04 | CD0005 | — |
| 7.5 | 5.6 | 1770 | 213T | TEFC | EWDM3710T | 9.4 | 72.0 | 22.2 | 91.8 | 91.7 | 75 | 81 | 6307 | 6206 | E1 | 19.04 | CD0005 | — |
| 10 | 7.5 | 1760 | 215T | TEFC | EWDM3714T | 12.5 | 93.8 | 30.0 | 93.0 | 92.4 | 77 | 82 | 6307 | 6206 | F | 20.54 | CD0005 | — |
| C-face with base | | | | | | | | | | | | | | | | | | |
| 1 | 0.75 | 3450 | 56C | TEFC | CEWDM3545 | 1.4 | 12.1 | 1.5 | 83.6 | 84.0 | 77 | 82 | 6205 | 6203 | F | 12.24 | CD0005 | — |
| 1 | 0.75 | 1750 | 56C | TENV | CEWDM3546 | 1.4 | 14.1 | 3.0 | 88.4 | 87.5 | 73 | 80 | 6205 | 6203 | F | 12.94 | CD0005 | — |
| 1 | 0.75 | 1740 | 143TC | TENV | CEWDM3546T | 1.4 | 12.2 | 3.0 | 87.8 | 86.5 | 70 | 78 | 6205 | 6203 | E | 12.13 | CD0005 | P14X4206 |
| 1 | 0.75 | 1150 | 56C | TEFC | CEWDM3556 | 1.8 | 9.9 | 4.5 | 82.9 | 82.5 | 54 | 63 | 6205 | 6203 | E | 13.24 | CD0005 | — |
| 1.5 | 1.1 | 3450 | 56C | TEFC | CEWDM3550 | 2.0 | 20.1 | 2.3 | 84.3 | 85.5 | 78 | 83 | 6205 | 6203 | E | 13.24 | CD0005 | — |
| 1.5 | 1.1 | 1740 | 145TC | TENV | CEWDM3554T | 2.0 | 17.6 | 4.5 | 88.3 | 86.5 | 74 | 81 | 6205 | 6203 | E1 | 13.00 | CD0005 | P14X4207 |
| 2 | 1.5 | 3450 | 56HCY | TEFC | CEWDM3555 | 2.5 | 30.0 | 3.0 | 86.2 | 86.5 | 80 | 85 | 6205 | 6203 | E | 14.12 | CD0005 | — |
| 2 | 1.5 | 3450 | 145TC | TEFC | CEWDM3555T | 2.5 | 30.0 | 3.0 | 86.2 | 86.5 | 80 | 85 | 6205 | 6203 | E | 14.17 | CD0005 | — |
| 2 | 1.5 | 1725 | 145TC | TEFC | CEWDM3558T | 2.7 | 19.6 | 6.0 | 88.3 | 86.5 | 76 | 82 | 6205 | 6203 | E | 14.17 | CD0005 | P14X4208 |
| 3 | 2.2 | 3475 | 145TC | TEFC | CEWDM3559T | 3.6 | 37.9 | 4.5 | 86.8 | 86.5 | 88 | 91 | 6205 | 6203 | F | 15.55 | CD0005 | — |
| 3 | 2.2 | 1760 | 182TC | TEFC | CEWDM3611T | 4.1 | 32.0 | 9.0 | 90.0 | 89.5 | 71 | 77 | 6206 | 6205 | E | 16.54 | CD0005 | — |
| 5 | 3.7 | 3500 | 184TC | TEFC | CEWDM3613T | 5.6 | 55.0 | 7.5 | 90.8 | 89.5 | 90 | 93 | 6206 | 6205 | E | 16.54 | CD0005 | — |
| 5 | 3.7 | 1750 | 184TC | TEFC | CEWDM3615T | 6.5 | 53.7 | 15.0 | 90.7 | 90.2 | 74 | 80 | 6206 | 6205 | E1 | 18.04 | CD0005 | — |
| 7.5 | 5.6 | 3500 | 213TC | TEFC | CEWDM3709T | 8.6 | 86.0 | 11.2 | 91.2 | 91 | 88 | 90 | 6307 | 6206 | E | 19.65 | CD0005 | — |
| 7.5 | 5.6 | 1770 | 213TC | TEFC | CEWDM3710T | 9.4 | 72.0 | 22.2 | 91.8 | 91.7 | 75 | 81 | 6307 | 6206 | E1 | 19.78 | CD0005 | — |
| 10 | 7.5 | 3500 | 215TC | TEFC | CEWDM3711T | 11.2 | 120 | 15.0 | 92.9 | 91.7 | 89 | 92 | 6307 | 6206 | E1 | 19.78 | CD0005 | — |
| 10 | 7.5 | 1760 | 215TC | TEFC | CEWDM3714T | 12.5 | 93.8 | 30.0 | 93.0 | 92.4 | 77 | 82 | 6307 | 6206 | F | 20.53 | CD0005 | — |
| 15 | 11.1 | 3500 | 254TC | TEFC | CEWDM23994T | 16.6 | 161 | 22.2 | 92.8 | 91.0 | 87 | 90 | 6309 | 6206 | F | 21.94 | CD0005 | — |
| 15 | 11.1 | 3500 | 215TC | TEFC | CEWDM3713T | 16.6 | 161 | 22.2 | 92.8 | 91.0 | 87 | 90 | 6307 | 6206 | F | 21.26 | CD0005 | — |
| 15 | 11.1 | 1765 | 254TC | TEFC | CEWDM23933T | 18.0 | 125 | 45.0 | 93.0 | 92.4 | 81 | 84 | 6309 | 6208 | F | 23.57 | CD0005 | — |
| 20 | 15 | 3520 | 256TC | TEFC | CEWDM41906T | 22.5 | 166 | 29.8 | 93.0 | 92.4 | 86 | 90 | 6309 | 6208 | F | 23.57 | CD0005 | — |
| 20 | 15 | | 256TC | TEFC | CEWDM23934T | 24.0 | 171 | 60.0 | 93.5 | 93.0 | 79 | 84 | 6309 | 6208 | F | 23.57 | CD0005 | — |
| C-face less base | | | | | | | | | | | | | | | | | | |
| 1 | 0.75 | 1750 | 56C | TENV | VEWDM3546 | 1.4 | 14.1 | 3.0 | 88.4 | 87.5 | 73 | 80 | 6205 | 6203 | F | 12.94 | CD0005 | — |
| 1 | 0.75 | 1750 | 143TC | TENV | VEWDM3546T | 1.4 | 14.1 | 3.0 | 88.4 | 87.5 | 73 | 80 | 6205 | 6203 | F | 13.00 | CD0005 | P14X4212 |
| 1 | 0.75 | 1765 | 143TC | TEFC | VEWDM3546T | 1.5 | 15.0 | 3.0 | 87.0 | 87.5 | 60 | 70 | 6205 | 6203 | E1 | 13.30 | CD0005 | P14X4212 |
| 1.5 | 1.1 | 1740 | 56C | TENV | VEWDM3554 | 2.0 | 17.6 | 4.5 | 88.3 | 86.5 | 74 | 81 | 6205 | 6203 | E1 | 12.94 | CD0005 | — |
| 1.5 | 1.1 | 1740 | 145TC | TENV | VEWDM3554T | 2.0 | 17.6 | 4.5 | 88.3 | 86.5 | 74 | 81 | 6205 | 6203 | E1 | 13.00 | CD0005 | P14X4213 |
| 1.5 | 1.1 | 1760 | 143TC | TEFC | VEWDM3554T | 2.1 | 19.7 | 4.5 | 88.2 | 89.5 | 68 | 76 | 6205 | 6203 | E1 | 14.18 | CD0005 | P14X4213 |
| 2 | 1.5 | 1725 | 56C | TEFC | VEWDM3558 | 2.7 | 19.6 | 6.0 | 88.3 | 86.5 | 76 | 82 | 6205 | 6203 | E | 14.18 | CD0005 | — |
| 2 | 1.5 | 1725 | 145TC | TEFC | VEWDM3558T | 2.7 | 19.6 | 6 | 88.3 | 86.5 | 76 | 82 | 6205 | 6203 | E | 14.18 | CD0005 | P14X4214 |
| 3 | 2.2 | 1760 | 182TC | TEFC | VEWDM3611T | 4.1 | 32.0 | 9.0 | 90.0 | 89.5 | 71 | 77 | 6206 | 6205 | E | 16.54 | CD0005 | — |
| 5 | 3.7 | 1750 | 184TC | TEFC | VEWDM3615T | 6.5 | 53.7 | 15.0 | 90.7 | 90.2 | 74 | 80 | 6206 | 6205 | E1 | 18.05 | CD0005 | — |
| 7.5 | 5.6 | 1770 | 213TC | TEFC | VEWDM3710T | 9.4 | 72.0 | 22.2 | 91.8 | 91.7 | 75 | 81 | 6307 | 6206 | E1 | 19.78 | CD0005 | — |
| 10 | 7.5 | 1760 | 215TC | TEFC | VEWDM3714T | 12.5 | 93.8 | 30.0 | 93.0 | 92.4 | 77 | 82 | 6307 | 6206 | E | 21.27 | CD0005 | — |

NOTE: Volt Code: E = 208-230/460V, 60Hz; E1 = 230/460V, 60Hz, usable at 208V; F = 230/460V, 60 Hz; H = 575V, 60Hz. See page 42 for Connection Diagrams. Efficiencies shown are nominal. See page 28 for dimensions. Data subject to change without notice. Contact Baldor for certified data. Baldor has suggested alternate products, however there may be slight differences in performance, efficiency, voltage range, dimensions and mounting. Customers should verify suitability of selected products for their specific application.

Washdown Motors

The standard in the food and pharmaceutical processing industries for more than 15 years, the Baldor Washdown Duty motors recently raised the bar once again with more features to improve reliability. A new exterior paint process makes the finish coat five times more resistant to corrosion and chipping. Exxon Polyrex[®] EM grease provides improve lubrication life, provides greater shear stability and superior resistance to washout, rust and corrosion. Distinctive blue colored drain plugs make them easy to recognize; new shape makes them easy to remove.



Performance Data: TEFC - Totally Enclosed Fan Cooled, TENV - Totally Enclosed Non-Ventilated, 230/460 Volts, Three Phase, 1/2 through 20 Hp

| Hp | kW | RPM | Frame | Encl. | Catalog No. | Amps @ High V | | Full Load Torque Lb. Ft. | Efficiency % | | Power Factor % | | Bearings | | Volt Code | "C" Dim. | Conn. Diag. No. | Reliance M/N | |
|-------------------------|------|------|-------|-------|-------------|---------------|--------------|--------------------------|--------------|-----------|----------------|-----------|----------|------|-----------|----------|-----------------|--------------|--|
| | | | | | | Full Load | Locked Rotor | | 3/4 | Full Load | 3/4 | Full Load | DE | ODE | | | | | |
| Rigid base | | | | | | | | | | | | | | | | | | | |
| 0.5 | 0.37 | 1725 | 56 | TENV | WDM3538 | 0.8 | 6.25 | 1.5 | 76.2 | 75.5 | 76 | 83 | 6205 | 6203 | E1 | 11.07 | CD0005 | P56X4720 | |
| 0.75 | 0.56 | 1725 | 56 | TENV | WDM3542 | 1.1 | 8.5 | 2.3 | 79.9 | 80.0 | 71 | 81 | 6205 | 6203 | E1 | 11.07 | CD0005 | P56X4721 | |
| 1 | 0.75 | 1725 | 143T | TENV | WDM3546T | 1.6 | 11.3 | 3.0 | 79.3 | 81.5 | 71 | 74 | 6205 | 6203 | E | 12.12 | CD0005 | P14X4800 | |
| 1.5 | 1.1 | 1725 | 145T | TENV | WDM3554T | 2.1 | 18.3 | 4.5 | 81.7 | 82.5 | 72 | 82 | 6205 | 6203 | E | 13.00 | CD0005 | P14X4801 | |
| 2 | 1.5 | 1740 | 145T | TEFC | WDM3558T | 2.8 | 21.6 | 6.0 | 85.2 | 84.0 | 74 | 81 | 6205 | 6203 | E | 14.08 | CD0005 | P14X4802 | |
| 3 | 2.2 | 1750 | 182T | TEFC | WDM3611T | 4.1 | 32.4 | 8.9 | 85.1 | 87.5 | 71 | 78 | 6206 | 6205 | E | 16.54 | CD0005 | — | |
| 5 | 3.7 | 1750 | 184T | TEFC | WDM3615T | 7.1 | 53.6 | 12.0 | 88.2 | 87.5 | 69 | 75 | 6206 | 6205 | E | 16.54 | CD0005 | — | |
| 7.5 | 5.6 | 1760 | 213T | TEFC | WDM3710T | 9.8 | 65.2 | 22.3 | 89.8 | 89.5 | 74 | 80 | 6307 | 6206 | E | 17.89 | CD0005 | — | |
| 10 | 7.5 | 1760 | 215T | TEFC | WDM3714T | 14.2 | 91.2 | 29.9 | 90.2 | 89.5 | 74 | 80 | 6307 | 6206 | E | 19.04 | CD0005 | — | |
| C-face with base | | | | | | | | | | | | | | | | | | | |
| 0.5 | 0.37 | 3450 | 56C | TENV | CWDM3537 | 0.9 | 6.0 | 0.75 | 66.9 | 70.0 | 72 | 76 | 6205 | 6203 | E | 11.07 | CD0005 | P56X4700 | |
| 0.5 | 0.37 | 1725 | 56C | TENV | CWDM3538 | 0.8 | 6.25 | 1.5 | 76.2 | 75.5 | 76 | 83 | 6205 | 6203 | E1 | 11.07 | CD0005 | P56X4706 | |
| 0.5 | 0.37 | 1140 | 56C | TENV | CWDM3539 | 1.0 | 5.6 | 2.3 | 76.4 | 77.0 | 57 | 66 | 6205 | 6203 | E1 | 12.07 | CD0005 | P56X4711 | |
| 0.75 | 0.56 | 3450 | 56C | TENV | CWDM3541 | 1.1 | 8.1 | 1.14 | 78.7 | 80.0 | 73 | 80 | 6205 | 6203 | E1 | 11.07 | CD0005 | P56X4701 | |
| 0.75 | 0.56 | 1725 | 56C | TENV | CWDM3542 | 1.1 | 8.50 | 2.3 | 79.9 | 80.0 | 71 | 81 | 6205 | 6203 | E1 | 11.07 | CD0005 | P56X4707 | |
| 0.75 | 0.56 | 1140 | 56C | TENV | CWDM3543 | 1.3 | 15.1 | 3.5 | 78.0 | 78.5 | 63 | 70 | 6205 | 6203 | E | 12.94 | CD0005 | P56X4712 | |
| 1 | 0.75 | 3450 | 56C | TENV | CWDM3545 | 1.3 | 8.9 | 1.5 | 83.1 | 82.5 | 82 | 88 | 6205 | 6203 | F | 11.07 | CD0005 | P56X4702 | |
| 1 | 0.75 | 1725 | 56C | TENV | CWDM3546 | 1.6 | 11.3 | 3.0 | 79.3 | 81.5 | 71 | 74 | 6205 | 6203 | E | 12.07 | CD0005 | P56X4708 | |
| 1 | 0.75 | 1725 | 143TC | TENV | CWDM3546T | 1.6 | 11.3 | 3.0 | 79.3 | 81.5 | 71 | 74 | 6205 | 6203 | E | 12.13 | CD0005 | P56X4709 | |
| 1 | 0.75 | 1140 | 56C | TEFC | CWDM3556 | 1.7 | 8.0 | 4.5 | 74.1 | 75.5 | 58 | 69 | 6205 | 6203 | E | 13.24 | CD0005 | — | |
| 1.5 | 1.1 | 3450 | 56C | TEFC | CWDM3550 | 2.3 | 16.0 | 2.3 | 72.7 | 75.5 | 71 | 76 | 6205 | 6203 | F | 12.24 | CD0005 | P56X4703 | |
| 1.5 | 1.1 | 1725 | 56C | TEFC | CWDM3554 | 2.5 | 17.0 | 4.5 | 77.1 | 78.5 | 63 | 72 | 6205 | 6203 | e | 12.24 | CD0005 | P56X4709 | |
| 1.5 | 1.1 | 1725 | 145TC | TEFC | CWDM3554T | 2.1 | 18.3 | 4.5 | 81.7 | 82.5 | 72 | 82 | 6205 | 6203 | E | 13.00 | CD0005 | P14X4810 | |
| 1.5 | 1.1 | 1140 | 56C | TEFC | CWDM3557 | 2.5 | 10.6 | 7.0 | 78.4 | 75.5 | 67 | 68 | 6205 | 6203 | F | 13.24 | CD0005 | — | |
| 2 | 1.5 | 3450 | 56HCY | TEFC | CWDM3555 | 2.7 | 17.5 | 3.0 | 80.3 | 78.5 | 87 | 93 | 6205 | 6203 | E | 13.24 | CD0005 | P56X4704 | |
| 2 | 1.5 | 3450 | 145TC | TEFC | CWDM3555T | 2.6 | 24.3 | 3.0 | 83.8 | 84.0 | 80 | 88 | 6205 | 6203 | E | 13.30 | CD0005 | P14X4806 | |
| 2 | 1.5 | 1725 | 56C | TEFC | CWDM3558 | 3.1 | 22.0 | 6.0 | 83.7 | 82.5 | 72 | 77 | 6205 | 6203 | E | 14.17 | CD0005 | P56X4710 | |
| 2 | 1.5 | 1740 | 145TC | TEFC | CWDM3558T | 2.8 | 21.6 | 6.0 | 85.1 | 84.0 | 74 | 81 | 6205 | 6203 | E | 14.17 | CD0005 | P14X4811 | |
| 2 | 1.5 | 1160 | 184TC | TEFC | CWDM3614T | 3.5 | 18.6 | 9.0 | 86.6 | 86.5 | 55 | 63 | 6206 | 6205 | E | 16.54 | CD0005 | — | |
| 3 | 2.2 | 3460 | 145TC | TEFC | CWDM3559T | 3.7 | 37.5 | 4.5 | 85.1 | 85.5 | 86 | 89 | 6205 | 6203 | E | 14.17 | CD0005 | P14X4807 | |
| 3 | 2.2 | 3450 | 182TC | TEFC | CWDM3610T | 3.7 | 37.5 | 4.5 | 85.1 | 85.5 | 86 | 89 | 6206 | 6203 | E | 15.18 | CD0005 | — | |
| 3 | 2.2 | 1750 | 182TC | TEFC | CWDM3611T | 4.1 | 32.4 | 8.9 | 87.8 | 87.5 | 71 | 78 | 6206 | 6205 | E | 16.54 | CD0005 | — | |
| 3 | 2.2 | 1165 | 213TC | TEFC | CWDM3704T | 4.6 | 31.0 | 13.5 | 87.9 | 87.5 | 62 | 69 | 6307 | 6206 | E | 18.65 | CD0005 | — | |
| 5 | 3.7 | 3450 | 184TC | TEFC | CWDM3613T | 6.0 | 56.0 | 7.6 | 88.4 | 87.5 | 89 | 92 | 6206 | 6205 | E | 16.54 | CD0005 | — | |
| 5 | 3.7 | 1750 | 184TC | TEFC | CWDM3615T | 7.1 | 53.6 | 12.0 | 88.3 | 87.5 | 69 | 75 | 6206 | 6205 | E | 16.54 | CD0005 | — | |
| 5 | 3.7 | 1155 | 215TC | TEFC | CWDM3708T | 7.5 | 50.0 | 22.8 | 88.1 | 87.5 | 65 | 72 | 6307 | 6206 | E | 19.78 | CD0005 | — | |
| 7.5 | 5.6 | 3450 | 184TC | TEFC | CWDM3616T | 8.7 | 98.8 | 11.5 | 89.3 | 88.5 | 91 | 93 | 6206 | 6205 | E | 18.04 | CD0005 | — | |
| 7.5 | 5.6 | 3450 | 213TC | TEFC | CWDM3709T | 8.7 | 94.0 | 11.3 | 89.3 | 88.5 | 91 | 93 | 6207 | 6205 | E | 18.54 | CD0005 | — | |
| 7.5 | 5.6 | 1760 | 213TC | TEFC | CWDM3710T | 9.8 | 65.2 | 22.2 | 89.8 | 89.5 | 74 | 80 | 6307 | 6206 | E | 18.65 | CD0005 | — | |
| 7.5 | 5.6 | 1175 | 254TC | TEFC | CWDM22976T | 11.2 | 68.1 | 33.5 | 89.8 | 89.5 | 64 | 70 | 6309 | 6208 | E | 23.57 | CD0005 | — | |
| 10 | 7.4 | 3500 | 215TC | TEFC | CWDM3711T | 11.5 | 84.0 | 15.0 | 90.8 | 89.5 | 88 | 91 | 6307 | 6206 | E | 18.65 | CD0005 | — | |
| 10 | 7.4 | 1760 | 215TC | TEFC | CWDM3714T | 13.0 | 91.2 | 29.9 | 90.2 | 89.5 | 74 | 80 | 6307 | 6206 | E | 19.78 | CD0005 | — | |
| 10 | 7.4 | 1175 | 256TC | TEFC | CWDM23932T | 15.3 | 99.0 | 44.0 | 88.9 | 89.5 | 65 | 69 | 6309 | 6208 | E | 23.57 | CD0005 | — | |
| 15 | 11.1 | 3450 | 215TC | TEFC | CWDM3713T | 17.0 | 152 | 22.6 | 91.9 | 90.2 | 90 | 91 | 6307 | 6206 | E | 21.26 | CD0005 | — | |
| 15 | 11.1 | 3450 | 254TC | TEFC | CWDM23994T | 17.0 | 152 | 22.6 | 91.9 | 90.2 | 90 | 91 | 6309 | 6206 | E | 21.94 | CD0005 | — | |
| 15 | 11.1 | 1760 | 254TC | TEFC | CWDM23933T | 17.3 | 115 | 42.6 | 91.5 | 91 | 81 | 89 | 6309 | 6208 | E1 | 23.57 | CD0005 | — | |
| 20 | 15 | 3525 | 256TC | TEFC | CWDM41906T | 22.7 | 188 | 30.0 | 91.1 | 91 | 88 | 90 | 6309 | 6208 | E1 | 23.57 | CD0180 | — | |
| 20 | 15 | 1760 | 256TC | TEFC | CWDM23934T | 23.0 | 164 | 60.0 | 91.9 | 91.7 | 84 | 89 | 6309 | 6208 | E1 | 23.57 | CD0005 | — | |

NOTE: Volt Code: E = 208-230/460V, 60Hz; E1 = 230/460V, 60Hz, usable at 208V; F = 230/460V, 60 Hz; H = 575V, 60Hz. See page 42 for Connection Diagrams. Efficiencies shown are nominal. See page 28 for dimensions. Data subject to change without notice. Contact Baldor for certified data. Baldor has suggested alternate products, however there may be slight differences in performance, efficiency, voltage range, dimensions and mounting. Customers should verify suitability of selected products for their specific application.

Washdown Motors continued...



Performance Data: TEFC - Totally Enclosed Fan Cooled, TENV - Totally Enclosed Non-Ventilated, 230/460 Volts, Three Phase, 1/2 through 20 Hp and 575 Volts, Three Phase, 1/2 through 5 Hp

| Hp | kW | RPM | Frame | Encl. | Catalog No. | Amps @ High V | | Full Load Torque Lb. Ft. | Efficiency % | | Power Factor % | | Bearings | | Volt Code | "C" Dim. | Conn. Diag. No. | Reliance M/N |
|---|------|------|-------|-------|---------------|---------------|--------------|--------------------------|--------------|-----------|----------------|-----------|----------|------|-----------|----------|-----------------|--------------|
| | | | | | | Full Load | Locked Rotor | | 3/4 | Full Load | 3/4 | Full Load | DE | ODE | | | | |
| C-face less base | | | | | | | | | | | | | | | | | | |
| 0.5 | 0.37 | 1725 | 56C | TENV | VWDM3538 | 0.8 | 6.25 | 1.5 | 76.2 | 75.5 | 76 | 83 | 6205 | 6203 | E1 | 11.06 | CD0005 | P56X4715 |
| 0.75 | 0.56 | 1725 | 56C | TENV | VWDM3542 | 1.1 | 8.5 | 2.3 | 79.9 | 80.0 | 71 | 81 | 6205 | 6203 | E1 | 11.06 | CD0005 | P56X4716 |
| 1 | 0.75 | 1725 | 56C | TENV | VWDM3546 | 1.6 | 11.3 | 3.0 | 79.3 | 81.5 | 71 | 74 | 6205 | 6203 | E | 12.07 | CD0005 | P56X4717 |
| 1 | 0.75 | 1725 | 143TC | TENV | VWDM3546T | 1.6 | 11.3 | 3.0 | 79.3 | 81.5 | 71 | 74 | 6205 | 6203 | E | 12.13 | CD0005 | P14X4212 |
| 1.5 | 1.1 | 1725 | 56C | TENV | VWDM3554 | 2.1 | 18.3 | 4.5 | 81.7 | 82.5 | 72 | 82 | 6205 | 6203 | E | 12.94 | CD0005 | P56X4718 |
| 1.5 | 1.1 | 1725 | 145TC | TENV | VWDM3554T | 2.1 | 18.3 | 4.5 | 81.7 | 82.5 | 72 | 82 | 6205 | 6203 | E | 13.00 | CD0005 | P14X4816 |
| 2 | 1.5 | 1725 | 56C | TEFC | VWDM3558 | 3.1 | 22.0 | 6.0 | 83.7 | 82.5 | 72 | 77 | 6205 | 6203 | E | 13.24 | CD0005 | P56X4714 |
| 2 | 1.5 | 1725 | 145TC | TEFC | VWDM3558T | 3.1 | 22.0 | 6.0 | 83.7 | 82.5 | 72 | 77 | 6205 | 6203 | E | 13.30 | CD0005 | P14X4815 |
| 3 | 2.2 | 1725 | 182TC | TEFC | VWDM3611T | 4.1 | 35.0 | 9.0 | 83.0 | 84.0 | 75 | 82 | 6206 | 6203 | E | 15.18 | CD0005 | — |
| 5 | 3.7 | 1725 | 184TC | TEFC | VWDM3615T | 6.6 | 55.0 | 15 | 86.1 | 85.5 | 80 | 80 | 6206 | 6205 | E | 16.54 | CD0005 | — |
| 7.5 | 5.6 | 1760 | 213TC | TEFC | VWDM3710T | 10.8 | 76.2 | 22.3 | 85.5 | 86.5 | 71 | 78 | 6307 | 6206 | E | 18.63 | CD0005 | — |
| 10 | 7.5 | 1725 | 215TC | TEFC | VWDM3714T | 13.0 | 110 | 30.0 | 88.1 | 87.5 | 76 | 82 | 6307 | 6206 | E | 19.78 | CD0005 | — |
| 575 Volt, C-face with base | | | | | | | | | | | | | | | | | | |
| 0.5 | 0.37 | 1725 | 56C | TENV | CWDM3538-5 | 0.6 | 5.0 | 1.5 | 77.0 | 78.5 | 69 | 77 | 6205 | 6203 | H | 11.07 | CD0006 | P56X4725 |
| 0.75 | 0.56 | 1725 | 56C | TENV | CWDM3542-5 | 0.9 | 6.8 | 2.3 | 79.9 | 80.0 | 68 | 81 | 6205 | 6203 | H | 11.07 | CD0006 | P56X4726 |
| 1 | 0.75 | 1725 | 56C | TENV | CWDM3546-5 | 1.3 | 9.0 | 3.0 | 79.3 | 81.0 | 71 | 74 | 6205 | 6203 | H | 12.07 | CD0006 | P56X4727 |
| 1 | 0.75 | 1750 | 56C | TENV | CEWDM3546-5 | 1.1 | | 3.0 | | 87.5 | | 80 | 6205 | 6203 | H | 12.94 | CD0006 | — |
| 1.5 | 1.1 | 1725 | 145TC | TENV | CWDM3554T-5 | 1.7 | 14.6 | 4.5 | 81.7 | 82.5 | 72 | 82 | 6205 | 6203 | H | 13.00 | CD0006 | P14X4820 |
| 1.5 | 1.1 | 1725 | 145TC | TENV | CEWDM3554T-5 | 1.6 | | 4.5 | | 86.5 | | | 6205 | 6203 | H | 13.00 | CD0006 | — |
| 2 | 1.5 | 1740 | 145TC | TEFC | CWDM3558T-5 | 2.2 | 16.8 | 6.0 | 85.2 | 84.0 | 73 | 79 | 6205 | 6203 | H | 13.30 | CD0006 | P14X4821 |
| 2 | 1.5 | 1740 | 145TC | TEFC | CEWDM3558T-5 | 2.2 | | 6.0 | | 86.5 | | | 6205 | 6203 | H | 16.54 | CD0006 | — |
| 3 | 2.2 | 1750 | 182TC | TEFC | CWDM3611T-5 | 3.3 | 25.9 | 8.9 | 87.8 | 87.5 | 71 | 78 | 6206 | 6205 | H | 16.54 | CD0006 | — |
| 3 | 2.2 | 1750 | 182TC | TEFC | CEWDM3611T-5 | 3.1 | | 9.0 | | 89.5 | | | 6206 | 6205 | H | 16.54 | CD0006 | — |
| 5 | 3.7 | 1750 | 184TC | TEFC | CWDM3615T-5 | 5.7 | 43.5 | 14.9 | 88.2 | 87.5 | 69 | 75 | 6206 | 6205 | H | 16.54 | CD0006 | — |
| 5 | 3.7 | 1750 | 184TC | TEFC | CEWDM3615T-5 | 5.2 | | 15.0 | | 90.2 | | | 6206 | 6205 | H | 18.04 | CD0006 | — |
| 7.5 | 5.6 | 1760 | 254TC | TEFC | CEWDM3710T-5 | 8.2 | | 22.5 | | 91.7 | | | 6206 | 6205 | H | 19.78 | CD0006 | — |
| 10 | 7.4 | 1760 | 254TC | TEFC | CEWDM3714T-5 | 10.1 | | 30.0 | | 92.4 | | | 6206 | 6205 | H | 21.27 | CD0006 | — |
| 15 | 11.1 | 1760 | 254TC | TEFC | CEWDM23933T-5 | 14.8 | | 45.0 | | 92.4 | | | 6206 | 6205 | H | 23.57 | CD0006 | — |
| 20 | 15.0 | 1760 | 254TC | TEFC | CEWDM23934T-5 | 19.2 | | 60.0 | | 93.0 | | | 6206 | 6205 | H | 23.57 | CD0006 | — |
| Three Phase, 575 Volt, C-face, less base | | | | | | | | | | | | | | | | | | |
| 0.5 | 0.37 | 1725 | 56C | TENV | VWDM3538-5 | 0.6 | 5.0 | 1.5 | 77.0 | 78.5 | 76 | 77 | 6206 | 6205 | H | 11.07 | CD0006 | P56X4746 |
| 0.75 | 0.56 | 1725 | 56C | TENV | VWDM3542-5 | 0.9 | 6.8 | 2.3 | 79.9 | 80.0 | 68 | 81 | 6206 | 6205 | H | 11.06 | CD0006 | P56X4747 |
| 1 | 0.75 | 1725 | 56C | TENV | VWDM3546-5 | 1.3 | 9.0 | 3.0 | 79.3 | 81.0 | 71 | 74 | 6206 | 6205 | H | 12.06 | CD0006 | P56X4748 |
| 1.5 | 1.1 | 1725 | 145TC | TENV | VWDM3554T-5 | 1.7 | 14.6 | 4.5 | 81.7 | 82.5 | 72 | 82 | 6206 | 6205 | H | 12.94 | CD0006 | P14X4841 |
| 2 | 1.5 | 1740 | 145TC | TEFC | VWDM3558T-5 | 2.2 | 16.8 | 6.0 | 85.2 | 84.0 | 73 | 79 | 6206 | 6205 | H | 13.94 | CD0006 | P14X4842 |

NOTE: Volt Code: E = 208-230/460V, 60Hz; E1 = 230/460V, 60Hz, usable at 208V; F = 230/460V, 60 Hz; H = 575V, 60Hz. See pages 42 and 43 for Connection Diagrams. Efficiencies shown are nominal. See page 28 for dimensions. Data subject to change without notice. Contact Baldor for certified data.

Baldor has suggested alternate products, however there may be slight differences in performance, efficiency, voltage range, dimensions and mounting. Customers should verify suitability of selected products for their specific application.

Washdown Super-E® Brake Motors

Baldor Super-E brake motors meet or exceed NEMA Premium® efficiency and are built to the standards of Baldor's white washdown duty motors. These brake motors have their spring-set brakes mounted opposite the drive end, allowing a NEMA-standard BA dimension. Brake coils are connected inside the conduit box allowing easy access for separate connection when used with an adjustable speed drive. Inverter Spike Resistant magnet wire.



Performance Data: TENV & TEFC, Rigid Base, 230/460 volts, 1 through 5 HP

| Hp | kW | RPM | Frame | Encl. | Catalog No. | Amps @ 460V ① | | Full Load Torque Lb. Ft. | Efficiency % | | | Power Factor % | | | Volt Code | "C" Dim. | Conn. Diag. No. | Brake Rating |
|-------|------|------|-------|-------|-------------|---------------|--------------|--------------------------|--------------|------|-----------|----------------|-----|-----------|-----------|----------|-----------------|--------------|
| | | | | | | Full Load | Locked Rotor | | 1/2 | 3/4 | Full Load | 1/2 | 3/4 | Full Load | | | | |
| 1/2 | 0.37 | 1750 | 56C | TENV | CEWDBM3538 | 0.8 | 6.3 | 1.5 | 76.6 | 80.8 | 82.5 | 54 | 67 | 72 | F | 15.31 | CD0005 | 3 |
| 3/4 | 0.56 | 1740 | 56C | TENV | CEWDBM3542 | 1.1 | 17.3 | 2.3 | 80.5 | 83.4 | 82.5 | 55 | 67 | 75 | F | 15.31 | CD0005 | 6 |
| 1 | 0.75 | 1740 | 56C | TENV | CEWDBM3546 | 1.4 | 12.2 | 3.0 | 86.9 | 87.8 | 86.5 | 57 | 70 | 78 | E | 16.31 | CD0005 | 6 |
| 1 | 0.75 | 1740 | 143TC | TENV | CEWDBM3546T | 1.4 | 12.2 | 3.0 | 86.9 | 87.8 | 86.5 | 57 | 70 | 78 | E | 17.26 | CD0005 | 10 |
| 1 1/2 | 1.1 | 1740 | 145TC | TENV | CEWDBM3554T | 2.0 | 17.6 | 4.5 | 87.7 | 88.3 | 86.5 | 61 | 74 | 81 | E1 | 18.14 | CD0005 | 10 |
| 2 | 1.5 | 1725 | 145TC | TEFC | CEWDBM3558T | 2.7 | 19.6 | 6.0 | 87.9 | 88.3 | 86.5 | 64 | 76 | 82 | E | 19.44 | CD0005 | 10 |
| 3 | 2.2 | 1760 | 182TC | TEFC | CEWDBM3611T | 4.1 | 32.0 | 9.0 | 89.1 | 90.0 | 89.5 | 58 | 71 | 77 | E | 21.80 | CD0005 | 15 |
| 5 | 3.7 | 1750 | 184TC | TEFC | CEWDBM3615T | 6.5 | 53.7 | 15.0 | 89.7 | 90.7 | 90.2 | 62 | 74 | 80 | E1 | 23.30 | CD0005 | 25 |

NOTE: Volt Code: E = 208-230/460 volts, E1 = 230/460V, 60Hz, usable at 208V, F = 230/460 volts, 60 Hz.

① Amps at 460V - double for 230V. See page 42 for Connection Diagram. See pages 32-33 for dimensions. Efficiencies shown are nominal. Data subject to change without notice. Contact Baldor for certified data.

Single Phase Washdown Motors

In food or pharmaceutical processing applications where limited voltage is available, or where there's an opportunity to operate additional equipment from the same line, Baldor offers Single Phase Washdown Motors. These motors have the same mechanical design characteristics as Baldor's three phase painted Washdown duty motors.



Performance Data: TEFC - Totally Enclosed Fan Cooled, 115/230 Volts, Single Phase, 1/2 through 1-1/2 Hp

| Hp | kW | RPM | Frame | Catalog No. | Amps @ High V | | Full Load Torque Lb. Ft. | Efficiency % | | | Power Factor % | | | Bearings | | Volt Code | "C" Dim. | Conn. Diag. No. | Reliance M/N |
|-------------------------|------|------|-------|-------------|---------------|--------------|--------------------------|--------------|------|-----------|----------------|-----|-----------|----------|------|-----------|----------|-----------------|--------------|
| | | | | | Full Load | Locked Rotor | | 1/2 | 3/4 | Full Load | 1/2 | 3/4 | Full Load | DE | ODE | | | | |
| C-face with base | | | | | | | | | | | | | | | | | | | |
| 0.5 | 0.37 | 1725 | 56C | CWDL3504 | 4.0 | 24.0 | 1.5 | 52.0 | 60.0 | 64.0 | 45 | 54 | 63 | 6205 | 6203 | B | 12.23 | CD0001 | C56H6714 |
| 0.75 | 0.56 | 1725 | 56C | CWDL3507 | 5.5 | 34.0 | 2.25 | 62.0 | 68.0 | 68.0 | 47 | 59 | 64 | 6205 | 6203 | B | 12.23 | CD0001 | C56H6711 |
| 1 | 0.75 | 3450 | 56C | CWDL3509 | 5.9 | 38.0 | 1.5 | 61.0 | 67.0 | 68.0 | 64 | 72 | 82 | 6205 | 6203 | B | 12.23 | CD0001 | C56H6702 |
| 1 | 0.75 | 1725 | 56C | CWDL3510 | 6.4 | 35.0 | 3.0 | 67.6 | 70.0 | 67.0 | 53 | 67 | 73 | 6205 | 6203 | B | 13.23 | CD0001 | C56H6712 |
| 1.5 | 1.1 | 3450 | 56C | CWDL3513 | 8.0 | 42.0 | 2.3 | 68.0 | 70.0 | 70.0 | 68 | 78 | 85 | 6205 | 6203 | B | 13.23 | CD0001 | C56H6703 |
| 1.5 | 1.1 | 1725 | 56C | CWDL3514 | 8.0 | 57.0 | 4.5 | 71.6 | 76.1 | 75.5 | 59 | 72 | 80 | 6205 | 6203 | B | 14.12 | CD0016A01 | C56H6713 |
| C-face less base | | | | | | | | | | | | | | | | | | | |
| 0.5 | 0.37 | 1725 | 56C | VWDL3504 | 4.0 | 24.0 | 1.50 | 52.0 | 60.0 | 64.0 | 45 | 54 | 63 | 6205 | 6203 | B | 12.25 | CD0001 | C56H6724 |
| 0.75 | 0.56 | 1725 | 56C | VWDL3507 | 5.5 | 34.6 | 2.25 | 62.0 | 68.0 | 68.0 | 47 | 59 | 64 | 6205 | 6203 | B | 12.25 | CD0001 | C56H6721 |
| 1 | 0.75 | 1725 | 56C | VWDL3510 | 6.4 | 35.0 | 3.0 | 67.6 | 70.0 | 67.0 | 53 | 67 | 73 | 6205 | 6203 | B | 13.25 | CD0001 | C56H6722 |
| 1.5 | 1.1 | 1725 | 56C | VWDL3514 | 8.0 | 57.0 | 4.5 | 71.6 | 76.1 | 75.5 | 59 | 72 | 80 | 6205 | 6203 | B | 14.10 | CD0016A01 | C56H6723 |

NOTE: Volt Code: B = 115/230 volts, usable at 208 volts, 60 Hz. See pages 42 and 43 for Connection Diagram. See page 34 for dimensions.

Baldor has suggested alternate products, however there may be slight differences in performance, efficiency, voltage range, dimensions and mounting. Customers should verify suitability of selected products for their specific application.

Close-Coupled Pump Washdown Motors

Baldor close-coupled pump washdown motors are for commercial and industrial water pump applications, or food processing applications that are exposed to high-pressure washdowns. Features over-sized ball bearings with locked drive end construction to minimize shaft movement. Contaminant and moisture-prevention features include a moisture sealant on the bolt heads between the frame and endplates, neoprene gaskets, and a Forsheda® running contact V-ring.



Performance Data: TEFC - Totally Enclosed Fan Cooled, TENV - Totally Enclosed Non-Ventilated, 230/460 Volts usable at 208 Volts, Three Phase, 1 through 15 Hp

| Hp | kW | RPM | Frame | Encl. | Catalog No. | Amps @ High V | | Full Load Torque Lb. Ft. | Efficiency % | | | Power Factor % | | | Bearings | | Volt Code | "C" Dim. | Conn. Diag. No. |
|-----|------|------|-------|-------|-------------|---------------|--------------|--------------------------|--------------|------|-----------|----------------|-----|-----------|----------|------|-----------|----------|-----------------|
| | | | | | | Full Load | Locked Rotor | | 1/2 | 3/4 | Full Load | 1/2 | 3/4 | Full Load | DE | ODE | | | |
| 1 | 0.75 | 1725 | 143JM | TENV | JMWDM3546T | 1.6 | 11.3 | 3.0 | 75.4 | 79.3 | 81.5 | 58 | 71 | 74 | 6206 | 6203 | E | 14.25 | CD0005 |
| 1.5 | 1.1 | 3450 | 143JM | TEFC | JMWDM3550T | 2.3 | 16.0 | 2.3 | 66.7 | 72.7 | 75.5 | 59 | 71 | 76 | 6206 | 6203 | F | 13.68 | CD0005 |
| 1.5 | 1.1 | 1725 | 145JM | TEFC | JMWDM3554T | 2.1 | 18.3 | 4.5 | 78.0 | 81.7 | 82.5 | 65 | 72 | 82 | 6206 | 6203 | E | 13.38 | CD0005 |
| 2 | 1.5 | 3450 | 145JM | TEFC | JMWDM3555T | 2.7 | 17.5 | 3 | 78.2 | 80.3 | 78.5 | 80 | 87 | 93 | 6206 | 6203 | E | 13.68 | CD0005 |
| 2 | 1.5 | 1725 | 145JM | TEFC | JMWDM3558T | 3.1 | 22.0 | 6.0 | 82.2 | 83.7 | 82.5 | 59 | 72 | 77 | 6206 | 6203 | E | 13.68 | CD0005 |
| 3 | 2.2 | 3450 | 145JM | TEFC | JMWDM3559T | 3.8 | 32.9 | 4.6 | 83.0 | 84.3 | 82.5 | 74 | 83 | 89 | 6206 | 6203 | E | 13.68 | CD0005 |
| 3 | 2.2 | 1725 | 182JM | TEFC | JMWDM3611T | 4.1 | 35.0 | 9.0 | 81.0 | 83.0 | 84 | 63 | 75 | 82 | 6207 | 6203 | E | 15.02 | CD0005 |
| 5 | 3.7 | 3450 | 184JM | TEFC | JMWDM3613T | 6.0 | 47.0 | 7.5 | 85.8 | 86.5 | 85.5 | 88 | 93 | 93 | 6207 | 6205 | E | 18.05 | CD0005 |
| 5 | 3.7 | 1725 | 184JM | TEFC | JMWDM3615T | 6.6 | 55.0 | 15.0 | 85.9 | 86.1 | 85.5 | 69 | 80 | 80 | 6207 | 6205 | E | 18.05 | CD0005 |
| 7.5 | 5.6 | 3450 | 184JM | TEFC | JMWDM3616T | 8.6 | 76.0 | 11.3 | 87.8 | 88.1 | 87.5 | 84 | 90 | 94 | 6207 | 6205 | E | 19.55 | CD0005 |
| 7.5 | 5.6 | 1760 | 213JM | TEFC | JMWDM3710T | 10.8 | 76.2 | 22.3 | 83.7 | 86.5 | 86.5 | 59 | 71 | 78 | 6309 | 6206 | E | 19.78 | CD0005 |
| 10 | 7.5 | 3450 | 215JM | TEFC | JMWDM3711T | 12.0 | 105. | 15.0 | 85.0 | 86.0 | 85.5 | 88 | 90 | 91 | 6309 | 6206 | E | 19.78 | CD0005 |
| 10 | 7.5 | 1725 | 215JM | TEFC | JMWDM3714T | 13.0 | 110 | 30.0 | 86.8 | 88.1 | 87.5 | 65 | 76 | 82 | 6309 | 6206 | E | 20.91 | CD0005 |
| 15 | 11.1 | 3450 | 215JM | TEFC | JMWDM3713T | 17.0 | 175 | 22.8 | 85.2 | 86.9 | 86.5 | 84 | 91 | 95 | 6309 | 6206 | F | 20.91 | CD0005 |

NOTE: Volt Code: E = 208-230/460V, 60Hz; E1 = 230/460V, 60Hz, usable at 208V; F = 230/460V, 60 Hz; H = 575V, 60Hz. See page 42 for Connection Diagrams. Efficiencies shown are nominal. See page 29 for dimensions. Data subject to change without notice. Contact Baldor for certified data.

Feather Picker Washdown Motors

Baldor Feather Picker motors are designed to withstand punishing, high-pressure, wet environments common in poultry processing plants. Dimensions, shaft and top-mounted conduit box configurations make these motors interchangeable with most OEM poultry processing equipment. These motors have the same mechanical design characteristics as Baldor's three phase painted Washdown duty motors.



Performance Data: TEFC - Totally Enclosed Fan Cooled, 230/460 Volts, usable at 208 Volts, Three Phase, 2 and 3 Hp

| Hp | kW | RPM | Frame | Catalog No. | Amps @ High V | | Full Load Torque Lb. Ft. | Efficiency % | | | Power Factor % | | | Bearings | | Volt Code | "C" Dim. | Conn. Diag. No. |
|----|-----|------|-------|-------------|---------------|--------------|--------------------------|--------------|------|-----------|----------------|-----|-----------|----------|------|-----------|----------|-----------------|
| | | | | | Full Load | Locked Rotor | | 1/2 | 3/4 | Full Load | 1/2 | 3/4 | Full Load | DE | ODE | | | |
| 2 | 1.5 | 1740 | 145T | WDM3558TP | 2.8 | 21.0 | 6.0 | 83.8 | 85.2 | 84.0 | 61 | 73 | 79 | 6205 | 6203 | E | 12.79 | CD0005 |
| 3 | 2.2 | 1750 | 145T | WDM3561TP | 4.1 | 38.6 | 9.0 | 86.8 | 88.1 | 87.5 | 56 | 71 | 78 | 6205 | 6203 | E | 15.04 | CD0005 |

NOTE: Volt Code: E = 230/460 volts, 60 Hz. See page 42 for Connection Diagrams. See page 34 for dimension drawing. Efficiencies shown are nominal. Data subject to change without notice. Contact Baldor for certified data.

Washdown and Paint-Free Inverter Drive® and Vector Drive® Motors

Washdown and Paint-Free versions of Baldor AC Inverter Drive and Vector Drive motors are designed for adjustable speed, full torque and precise positioning applications in a washdown environment. Typical applications include conveyors, pumps and batch mixing/ blending. Recommended for use with Baldor Inverter and Vector controls, although these motors will work with existing OEM controls.



Performance Data: TEFC - Totally Enclosed Fan Cooled, TENV - Totally Enclosed Non-Ventilated, 230/460 Volts, Three Phase, 1/2 through 10 Hp

| Hp | kW | RPM | Frame | Encl. | Catalog No. | Amps @ High V | | Full Load Torque Lb. Ft. | Efficiency % | | | Power Factor % | | | Bearings | | Volt Code | "C" Dim. | Conn Diag. No. |
|--|------|------|-------|-------|--------------|---------------|--------------|--------------------------|--------------|------|-----------|----------------|-----|-----------|----------|------|-----------|----------|----------------|
| | | | | | | Full Load | Locked Rotor | | 1/2 | 3/4 | Full Load | 1/2 | 3/4 | Full Load | DE | ODE | | | |
| TENV White - Inverter Motors - C-face with base | | | | | | | | | | | | | | | | | | | |
| 1 | 0.75 | 1750 | 143TC | TENV | IDWNM3546T | 1.4 | 14.0 | 3.0 | 83.8 | 86.2 | 86.5 | 58 | 72 | 78 | 6205 | 6203 | F | 14.90 | CD0005 |
| 1.5 | 1.1 | 1750 | 145TC | TENV | IDWNM3554T | 2.1 | 22.3 | 4.5 | 84.8 | 86.8 | 87.5 | 56 | 70 | 78 | 6205 | 6203 | F | 15.78 | CD0005 |
| 2 | 1.5 | 1725 | 182TC | TENV | IDWNM3609T | 2.9 | 26.0 | 6.0 | 80.8 | 83.7 | 84.0 | 57 | 69 | 76 | 6206 | 6205 | F | 17.77 | CD0005 |
| 3 | 2.2 | 1750 | 184TC | TENV | IDWNM3611T | 4.0 | 30.0 | 9.0 | 88.8 | 89.6 | 88.5 | 64 | 75 | 80 | 6206 | 6205 | F | 17.77 | CD0005 |
| 5 | 3.7 | 1760 | 213TC | TENV | IDWNM3707T | 6.7 | 48.0 | 14.9 | 88.5 | 90.1 | 89.5 | 60 | 73 | 78 | 6307 | 6206 | F | 19.84 | CD0005 |
| 7.5 | 5.6 | 1765 | 254TC | TENV | IDWNM22937T | 9.1 | 71.7 | 22.5 | 89.7 | 91 | 91.0 | 69 | 80 | 85 | 6309 | 6208 | F | 23.92 | CD0005 |
| 10 | 7.5 | 1765 | 254TC | TENV | IDWNM22938T | 12.0 | 87.0 | 30.0 | 91.7 | 92.4 | 91.7 | 72 | 81 | 85 | 6309 | 6208 | F | 23.92 | CD0005 |
| Paint-free Inverter - C-face with base* | | | | | | | | | | | | | | | | | | | |
| 0.5 | 0.37 | 1750 | 56C | TENV | IDCSWDM3538 | 0.8 | 6.5 | 1.5 | 80.0 | 83.0 | 82.5 | 52 | 65 | 72 | 6205 | 6203 | F | 11.07 | CD0005 |
| 0.75 | 0.56 | 1750 | 56C | TENV | IDCSWDM3542 | 1.0 | 9.6 | 2.3 | 74.1 | 78.2 | 78.5 | 57 | 70 | 80 | 6205 | 6203 | F | 12.07 | CD0005 |
| 1 | 0.75 | 1740 | 56C | TENV | IDCSWDM3546 | 1.4 | 10.7 | 3.0 | 86.3 | 87.0 | 85.5 | 62 | 74 | 81 | 6205 | 6203 | E | 12.07 | CD0005 |
| 1 | 0.75 | 1740 | 143TC | TENV | IDCSWDM3546T | 1.4 | 10.7 | 3.0 | 86.3 | 87.0 | 85.5 | 62 | 74 | 81 | 6205 | 6203 | E | 12.12 | CD0005 |
| 1.5 | 1.1 | 1750 | 56C | TEFC | IDCSWDM355 | 2.1 | 20.0 | 4.5 | 86.4 | 87.7 | 87.5 | 57 | 71 | 78 | 6205 | 6203 | F | 13.24 | CD0005 |
| 1.5 | 1.1 | 1750 | 145TC | TEFC | IDCSWDM3554 | 2.1 | 20.0 | 4.5 | 86.4 | 87.7 | 87.5 | 57 | 71 | 78 | 6205 | 6203 | F | 13.30 | CD0005 |
| 2 | 1.5 | 1750 | 56C | TEFC | IDCSWDM355 | 2.5 | 22.0 | 6.0 | 87.6 | 88.0 | 86.5 | 64 | 77 | 83 | 6205 | 6203 | F | 14.12 | CD0005 |
| 2 | 1.5 | 1750 | 145TC | TEFC | IDCSWDM3558 | 2.5 | 22.0 | 6.0 | 87.6 | 88.0 | 86.5 | 64 | 77 | 83 | 6205 | 6203 | F | 14.18 | CD0005 |
| 3 | 2.2 | 1760 | 182TC | TEFC | IDCSWDM3611 | 4.1 | 32.0 | 9.0 | 89.1 | 90.0 | 89.5 | 58 | 71 | 80 | 6206 | 6205 | F | 16.56 | CD0005 |
| 5 | 3.7 | 1750 | 184TC | TEFC | IDCSWDM3615 | 6.5 | 48.0 | 15.0 | 88.3 | 88.4 | 87.5 | 61 | 73 | 80 | 6206 | 6205 | F | 18.06 | CD0005 |
| 7.5 | 5.6 | 1760 | 213TC | TEFC | IDCSWDM3710 | 10.0 | 82.0 | 22.0 | 82.1 | 84.7 | 89.5 | 61 | 73 | 80 | 6307 | 6206 | F | 19.81 | CD0005 |
| 10 | 7.5 | 1760 | 215TC | TEFC | IDCSWDM3714T | 13.0 | 119 | 29.9 | 86.4 | 88.8 | 89.5 | 61 | 73 | 76 | 6307 | 6206 | F | 20.56 | CD0005 |
| Paint-free Inverter - C-face less base* | | | | | | | | | | | | | | | | | | | |
| 0.5 | 0.37 | 1750 | 56C | TENV | IDVSWDM3538 | 0.8 | 6.5 | 1.5 | 80.0 | 83.0 | 82.5 | 52 | 65 | 72 | 6205 | 6203 | F | 11.07 | CD0005 |
| 0.75 | 0.56 | 1750 | 56C | TENV | IDVSWDM3542 | 1.0 | 9.6 | 2.3 | 77.1 | 78.2 | 78.5 | 57 | 70 | 80 | 6205 | 6203 | F | 12.07 | CD0005 |
| 1 | 0.75 | 1740 | 56C | TENV | IDVSWDM3546 | 1.4 | 10.7 | 3.0 | 86.3 | 87.0 | 85.5 | 62 | 74 | 81 | 6205 | 6203 | E | 12.07 | CD0005 |
| 1 | 0.75 | 1725 | 143TC | TENV | IDVSWDM3546T | 1.4 | 10.7 | 3.0 | 86.3 | 87.0 | 85.5 | 62 | 74 | 81 | 6205 | 6203 | E | 12.12 | CD0005 |
| 1.5 | 1.1 | 1750 | 56C | TEFC | IDVSWDM3554 | 2.1 | 20.0 | 4.5 | 86.4 | 87.7 | 87.5 | 57 | 71 | 78 | 6205 | 6203 | F | 13.24 | CD0005 |
| 1.5 | 1.1 | 1750 | 145TC | TEFC | IDVSWDM3554T | 2.1 | 20.0 | 4.5 | 86.4 | 87.7 | 87.5 | 57 | 71 | 78 | 6205 | 6203 | F | 13.30 | CD0005 |
| 2 | 1.5 | 1750 | 56C | TEFC | IDVSWDM3558 | 2.5 | 22.0 | 6.0 | 87.6 | 88.0 | 86.5 | 64 | 77 | 83 | 6205 | 6203 | F | 14.12 | CD0005 |
| 2 | 1.5 | 1750 | 145TC | TEFC | IDVSWDM3558T | 2.5 | 22.0 | 6.0 | 87.6 | 88.0 | 86.5 | 64 | 77 | 83 | 6205 | 6203 | F | 14.18 | CD0005 |
| 3 | 2.2 | 1760 | 182TC | TEFC | IDVSWDM3611T | 4.0 | 32.0 | 9.0 | 89.1 | 90.0 | 89.5 | 58 | 71 | 80 | 6206 | 6205 | F | 16.56 | CD0005 |
| 5 | 3.7 | 1750 | 184TC | TEFC | IDVSWDM3615T | 6.5 | 48.0 | 15.0 | 88.3 | 88.4 | 87.5 | 61 | 73 | 80 | 6206 | 6205 | F | 18.06 | CD0005 |
| TENV White - Vector Motors - C-face with base | | | | | | | | | | | | | | | | | | | |
| 1 | 0.75 | 1750 | 143TC | TENV | ZDWNM3546T | 1.4 | 14.0 | 3.0 | 83.8 | 86.2 | 86.5 | 58 | 72 | 78.0 | 6205 | 6203 | F | 14.90 | CD0005 |
| 1.5 | 1.1 | 1750 | 145TC | TENV | ZDWNM3554T | 2.1 | 22.3 | 4.5 | 84.8 | 86.8 | 87.5 | 56 | 70 | 78.0 | 6205 | 6203 | F | 15.78 | CD0005 |
| 2 | 1.5 | 1725 | 182TC | TENV | ZDWNM3609T | 2.9 | 26.0 | 6.0 | 80.8 | 83.7 | 84.0 | 57 | 69 | 76.0 | 6206 | 6205 | F | 17.77 | CD0005 |
| 3 | 2.2 | 1750 | 184TC | TENV | ZDWNM3611T | 4.0 | 30.0 | 9.0 | 88.8 | 89.6 | 88.5 | 64 | 75 | 80.0 | 6206 | 6205 | F | 17.77 | CD0005 |
| 5 | 3.7 | 1760 | 213TC | TENV | ZDWNM3707T | 6.7 | 48.0 | 14.9 | 88.5 | 90.1 | 89.5 | 60 | 73 | 78.0 | 6307 | 6206 | F | 19.84 | CD0005 |
| 7.5 | 5.6 | 1765 | 254TC | TENV | ZDWNM22937T | 9.1 | 71.7 | 22.5 | 89.7 | 91 | 91.0 | 69 | 80 | 85.0 | 6309 | 6208 | F | 23.92 | CD0005 |
| 10 | 7.5 | 1765 | 254TC | TENV | ZDWNM22938T | 12.0 | 87.0 | 30.0 | 91.7 | 92.4 | 91.7 | 72 | 81 | 85.0 | 6309 | 6208 | F | 23.92 | CD0005 |

Vector Drive motors include 1024PPR industrial duty encoder.

NOTE: Volt Code: E = 208-230/460V, 60Hz; E1 = 230/460V, 60Hz, usable at 208V; F = 230/460V, 60 Hz; H = 575V, 60Hz.

See page 42 for Connection Diagrams. Efficiencies shown are nominal. See pages 30-31 for dimensions.

Data subject to change without notice. Contact Baldor for certified data. * Paint-Free Inverter Motors are not encoder adaptable.

Paint-Free IEC Metric Washdown Duty AC Motors

All exterior motor surfaces are totally paint-free, USDA approved. Designed for food processing and applications where the motor is constantly exposed to an environment requiring high pressure wash down to maintain cleanliness. Stainless steel motor frame, base, shaft and hardware. Specially processed cast iron flange / endplate on drive end. 200° Magnet Wire with Moisture Resistant insulation.



Performance Data: 415 Volts, Three Phase, 50Hz

| kW | Hp | RPM | Frame | Encl. | Catalog No. | Amps @ High V | | Full Load Torque Lb. Ft. | Efficiency % | | | Power Factor % | | | Bearings | | "C" Dimension | | Conn Diag. No. |
|------|----|------|-------|-------|---------------|---------------|--------------|--------------------------|--------------|------|-----------|----------------|-----|-----------|----------|------|---------------|--------|----------------|
| | | | | | | Full Load | Locked Rotor | | 1/2 | 3/4 | Full Load | 1/2 | 3/4 | Full Load | DE | ODE | mm | (Inch) | |
| 0.75 | 1 | 1440 | D90S | TENV | MSWDM3546-57 | 1.6 | 15.2 | 3.7 | 84.4 | 85.4 | 84.0 | 57 | 68 | 80 | 6205 | 6203 | 300 | 11.82 | CD0022 |
| 0.75 | 1 | 1440 | D80D | TENV | VSWDM3546D-57 | 1.6 | 15.2 | 3.7 | 84.4 | 85.4 | 84.0 | 57 | 68 | 80 | 6205 | 6203 | | 11.43 | CD0022 |
| 1.5 | 2 | 1440 | D90L | TEFC | MSWDM3558-57 | 3.2 | 26.6 | 7.3 | 86.9 | 87.7 | 86.5 | 55 | 68 | 75 | 6205 | 6203 | 388 | 15.26 | CD0022 |
| 1.5 | 2 | 1440 | D90L | TEFC | VSWDM3558D-57 | 3.2 | 26.6 | 7.3 | 86.9 | 87.7 | 86.5 | 55 | 68 | 75 | 6206 | 6203 | 439 | 17.27 | CD0022 |

NOTE: Voltage: -57 = 240/425 Volt - 50 Hz. Contact Baldor for dimensions.

IEC Metric Washdown Duty AC Motors

Designed for food processing and other applications where the motor is constantly exposed to an environment requiring high pressure wash down to maintain cleanliness. USDA approved Epoxy Finish. 200° Magnet Wire with Moisture Resistant insulation.



Performance Data: 415 Volts, Three Phase, 50Hz

| kW | Hp | RPM | Frame | Encl. | Catalog No. | Amps @ High V | | Full Load Torque Lb. Ft. | Efficiency % | | | Power Factor % | | | Bearings | | "C" Dimension | | Conn Diag. No. |
|------|------|------|-----------|-------|--------------|---------------|--------------|--------------------------|--------------|------|-----------|----------------|-----|-----------|----------|------|---------------|--------|----------------|
| | | | | | | Full Load | Locked Rotor | | 1/2 | 3/4 | Full Load | 1/2 | 3/4 | Full Load | DE | ODE | mm | (Inch) | |
| 0.56 | .075 | 1425 | 56C | TENV | CWDM3542-57 | 1.2 | 9.09 | 2.76 | 78.0 | 80.0 | 77.0 | 54 | 71 | 80 | 6205 | 6203 | 281 | 11.07 | CD0022 |
| 0.56 | 0.75 | 1425 | D80D | TENV | VWDM3542D-57 | 1.2 | 9.09 | 2.76 | 78.0 | 80.0 | 77.0 | 54 | 71 | 80 | 6206 | 6203 | 265 | 10.43 | CD0022 |
| 0.75 | 1 | 1425 | D90S | TENV | MWDM3546-57 | 1.7 | 13.2 | 3.6 | 75.3 | 79.0 | 80.0 | 52 | 66 | 81 | 6205 | 6203 | 300 | 11.82 | CD0022 |
| 0.75 | 1 | 1425 | D80D | TENV | VWDM3546D-57 | 1.7 | 13.2 | 3.6 | 75.3 | 79.0 | 80.0 | 52 | 66 | 81 | 6206 | 6203 | 290 | 11.43 | CD0022 |
| 1.1 | 1.5 | 1425 | D90S | TENV | MWDM3554-57 | 2.3 | 18.4 | 5.44 | 78.0 | 81.8 | 80.0 | 66 | 72 | 82 | 6205 | 6203 | 323 | 12.70 | CD0022 |
| 1.1 | 1.5 | 1425 | D90D | TENV | VWDM3554D-57 | 2.3 | 18.4 | 5.44 | 78.0 | 81.8 | 80.0 | 66 | 72 | 82 | 6206 | 6203 | 323 | 12.70 | CD0022 |
| 0.37 | 0.5 | 1425 | D71-D-B35 | TEFC | CWMM3461-57 | 1.2 | 6.47 | 1.82 | 66.3 | 72.5 | 74.0 | 40 | 50 | 63 | 6203 | 6203 | 290 | 11.41 | CD0022 |
| 1.5 | 2 | 1425 | D90L | TEFC | MWDM3558-57 | 2.3 | 21.4 | 7.35 | 78.0 | 81.1 | 81.0 | 55 | 69 | 78 | 6205 | 6203 | 330 | 12.98 | CD0022 |
| 1.5 | 2 | 1425 | D90D | TEFC | VWDM3558D-57 | 2.3 | 21.4 | 7.35 | 78.0 | 81.1 | 81.0 | 55 | 69 | 78 | 6206 | 6203 | 330 | 13.00 | CD0022 |
| 2.2 | 3 | 1425 | D112M | TEFC | MWDM3611-56 | 4.5 | 28.0 | 11.0 | 83.2 | 84.4 | 84.0 | 68 | 82 | 81 | 6206 | 6205 | 410 | 16.16 | CD0006 |
| 2.2 | 3 | 1425 | D100D | TEFC | VWDM3611D-57 | 4.0 | | | | | 84.0 | | | 81 | 6206 | 6205 | 395 | 15.55 | CD0022 |
| 4 | 5 | 1425 | D112M | TEFC | MWDM3615-56 | 7.4 | 57.0 | 18.0 | 84.0 | 85.6 | 84.0 | 69 | 80 | 80 | 6206 | 6205 | 449 | 17.67 | CD0006 |
| 4 | 5 | 1425 | D112D | TEFC | VWDM3615D-56 | 7.4 | 57.0 | 18.0 | 84.0 | 85.6 | 84.0 | 69 | 80 | 80 | 6206 | 6205 | 433 | 17.05 | CD0006 |
| 5.5 | 7.5 | 1425 | D132S | TEFC | MWDM3710-56 | 11.6 | 87.0 | 27.5 | 84.0 | 85.0 | 84.0 | 58 | 72 | 81 | | | 449 | 17.66 | CD0006 |
| 5.5 | 7.5 | 1425 | D132D | TEFC | VWDM3710D-56 | 11.6 | 87.0 | 27.5 | 84.0 | 85.0 | 84.0 | 58 | 72 | 81 | 6209 | 6206 | 411 | 16.21 | CD0006 |
| 7.5 | 10 | 1425 | D132M | TEFC | MWDM3714-56 | 16.0 | | | | | 85.5 | | | 76 | | | 477 | 18.78 | CD0006 |
| 7.5 | 10 | 1425 | D132D | TEFC | VWDM3714D-56 | 16.0 | | | | | 85.5 | | | 76 | | | 440 | 17.34 | CD0006 |

NOTE: Voltage: -56 = 415 Volt - 50 Hz - Wye/Delta; -57 = 240/415 Volt - 50 Hz. Contact Baldor for dimensions.

Series 5 Washdown Micro Inverters



When space is at a premium in a washdown application, Baldor Series 5 Micro Inverters provide variable torque, constant torque and constant horsepower control in a small package. These controls may be used in new installations, replacements or original equipment. The NEMA 4X enclosure is suitable for frequent washdowns. They have an output frequency of 0.25 to 120 Hz, with a peak overload capacity of 150%. Control features include separate accel/decel rates and controlled reversing. Standard operator control includes rotary speed settings, start/stop command and power on/off.



| Hp/kW | Input Volt | Output Current | | Catalog Number | Dimensions in/(mm) | | | | |
|---------------------------|------------|----------------|----------|----------------|--------------------|------|------|----------|---|
| | | Cont. | 120 Sec. | | Outside | | | Mounting | |
| | | | | | H | W | D | H | W |
| Single Phase Input | | | | | | | | | |
| 1/0.75 | 115/230 | 3.6 | 5.4 | ID5601-WO | 9.53 | 5.51 | 5.86 | 8.85 | - |
| 1/0.75 | 115/230 | 3.6 | 5.4 | ID5601-BO | 9.53 | 5.51 | 5.86 | 8.85 | - |
| 2/1.5 | 115/230 | 5.5/6.7 | 8.3/10.0 | ID5602-WO | 9.8 | 7.55 | 7.25 | 9.25 | 1 |
| 2/1.5 | 115/230 | 5.5/6.7 | 8.3/10.0 | ID5602-BO | 9.8 | 7.55 | 7.25 | 9.25 | 1 |
| Three Phase Input | | | | | | | | | |
| 3/2.25 | 230 | 9 | 13.5 | ID5203-WO | 9.8 | 7.55 | 7.25 | 9.25 | 1 |
| 3/2.25 | 230 | 9 | 13.5 | ID5203-BO | 9.8 | 7.55 | 7.25 | 9.25 | 1 |
| 3/2.25 ① | 460 | 4.6 | 6.9 | ID5403-WO | 9.8 | 7.55 | 7.25 | 9.25 | 1 |
| 3/2.25 ① | 460 | 4.6 | 6.9 | ID5403-BO | 9.8 | 7.55 | 7.25 | 9.25 | 1 |
| 5/3.7 | 460 | 8.3 | 12.45 | ID5405-WO | 9.8 | 7.55 | 7.25 | 9.25 | 1 |
| 5/3.7 | 460 | 8.3 | 12.45 | ID5405-BO | 9.8 | 7.55 | 7.25 | 9.25 | 1 |

NOTE: -WO is white in color -BO is black in color
① Jumper configurable for 1 HP and 2 HP

| | | |
|---------------------------|-----------------------------|--|
| Output Ratings | Overload Capacity | 150% for 120 seconds |
| | Voltage - 3 Phase | 0-230 VAC (RMS), 0-460 VAC (RMS) |
| Control Spec | Control Method | Sinewave carrier input, PWM output |
| | PWM Frequency | Rated 8.0 kHz |
| | V/Hz Ratio | Factory set for optimum output |
| | Torque Boost | Adjustable 0-30% max |
| | Current Limit | Adjustable of rated output |
| | Frequency Setting | 0-5 VDC, 0-10 VDC with external resistor network, non-isolated input |
| | Accel/Decel | Separate accel/decel rates, 0.3-20 sec |
| | Protective Functions | Inverter Trip |
| Status Indicators | | Tricolor LED indicator for status and green LED indicator for power on short circuit output phase to phase |
| Ambient Conditions | Temperature | 0-50°C |
| | Cooling | Convection; 3300 feet max without derate |
| | Enclosure | NEMA 4X (IP65) |

| Catalog No. | Accessories for Series 5 Inverters | Ap'x. Shpg. Wgt. |
|-------------|--|------------------|
| ID5SI-2 | Signal isolator for NEMA 4X enclosed units Provides isolation for up to 24 VDC and 4-20mA command signals | 0.5 |
| ID5AMS-1 | Auto/manual selection switch for NEMA 4X enclosed units Allows selection of remote or on-board speed commands | 0.3 |
| ID5FRS-1 | Forward/stop/reverse selection switch for NEMA 4X enclosed units Allows selection of forward or reverse motor direction command | 0.4 |

NOTE: See page 35 for dimension drawing. Data subject to change without notice. Contact Baldor for certified data.

VS1SP Washdown Inverter/ Encoderless Vector Drive



1 thru 3 Hp
1 thru 75 Hp
1 thru 300 Hp
1 thru 300 Hp

115/230 VAC
230 VAC
460 VAC
575 VAC

1 Phase - 50/60 Hz
3 Phase - 50/60 Hz
3 Phase - 50/60 Hz
3 Phase - 50/60 Hz

Applications: Constant torque, variable torque or constant horse-power applications. New installations, replacements and original equipment manufacturers (OEM).

Features: NEMA 4 enclosure. Output frequency 0 to 500 Hz with peak overload capacity of 175%. Separate accel/decl rates and controlled reversing. Built-in two and three input PID process control loop.

| | | | | | | | |
|--|---|--|--|---------|--|---------|--|
| Input Ratings | Voltage | 115 | 230 | 230 | 460 | 575 | |
| | Voltage Range | 95-130 | 180-264 | 180-264 | 340-528 | 515-660 | |
| | Phase | Single Phase | | | Three Phase (single phase with derating) | | |
| | Frequency | 50/60Hz +5% | | | | | |
| | Impedance | 1% minimum from mains connection | | | | | |
| Output Ratings | Horsepower | 1-3 Hp @ 115/230VAC, 1PH; 1-7.5 Hp @ 230VAC, 3PH; 1-10 Hp @ 460VAC, 3PH; 1-10 Hp @ 575VAC, 3PH | | | | | |
| | Overload Capacity | Heavy Duty (Constant Torque) = 150% for 60 seconds, 175% for 3 seconds Normal Duty (Variable Torque) = 115% for 60 seconds | | | | | |
| | Frequency | 0-500Hz | | | | | |
| | Voltage | 0 to maximum input voltage (RMS) (Note: 0 to 230 V for 115 V Single Phase Units) | | | | | |
| Protective Features | Trip | Missing control power, over current, over voltage, under voltage, over temperature (motor or control), output shorted or grounded, motor overload | | | | | |
| | Stall Prevention | Over voltage suppression, overcurrent suppression | | | | | |
| | External Output | LED trip condition indicators, 4 assignable logic outputs, 2 assignable analog outputs | | | | | |
| | Short Circuit | Phase to phase, phase to ground | | | | | |
| | Electronic Motor Overload | Meets UL508C (I ² T) | | | | | |
| Environmental Conditions | Temperature | -10 to 45°C. Derate 3% per °C to maximum ambient temperature of 55°C. | | | | | |
| | Cooling | Forced air | | | | | |
| | Enclosure | NEMA 4X | | | | | |
| | Altitude | Sea level to 3300 Feet (1000 Meters) Derate 2% per 1000 Feet (303 Meters) above 3300 Feet | | | | | |
| | Humidity | NEMA 4X: To 100% RH Condensing | | | | | |
| | Shock / Vibration | 1G / 0.5G at 10Hz to 60Hz | | | | | |
| | Storage Temperature | -10 to +65°C | | | | | |
| Keypad Display | Display | LCD Graphical 128x64 Pixel | | | | | |
| | Keys | 14 key membrane with tactile feedback | | | | | |
| | Functions | Output status monitoring, Digital speed control, Parameter setting and display, Diagnostic and Fault log display, Motor run and jog, Local/Remote toggle | | | | | |
| | LED Indicators | Forward run command, Reverse run command, Stop command, Jog active | | | | | |
| | Remote Mount | 200 feet (60.6m) maximum from control, NEMA 4 Rated | | | | | |
| | Trip | Separate message and trace log for each trip, last 10 trips retained in memory | | | | | |
| | Control Specifications | Control Method | Microprocessor controlled PWM output, selectable encoderless vector or V/Hz inverter | | | | |
| PWM Frequency | | Adjustable 1.5-5kHz STD, 5-16 kHz quiet | | | | | |
| Frequency Setting | | ±5 VDC, 0-5 VDC ±10 VDC, 0-10 VDC, 4-20 mA or 0-20 mA; digital (keypad), Serial Comms/USB 2.0, and Modbus RTU standard | | | | | |
| Accel/Decel | | 0-3600 seconds | | | | | |
| V/Hz Ratio | | Linear to squared reduced, base frequency, output voltage, minimum frequency limit, maximum frequency limit | | | | | |
| Torque Boost | | 0-30% of input voltage; automatic with manual override | | | | | |
| Brake Torque | | 20% standard on Sizes AA and B, 1% standard on Size C, D | | | | | |
| Skip Frequency | | Three zones 0-Max frequency | | | | | |
| PC Setup Software | | MINT® WorkBench Software available using the USB 2.0 port for commissioning wizard, firmware download, parameter viewer, scope capture and cloning | | | | | |
| Maximum Output Frequency | | 500 Hz | | | | | |
| Selectable Operating Modes | | Keypad, Standard Run, 2-Wire, Standard Run 3-Wire, 15 Preset Speeds, Fan Pump 2-Wire, Fan Pump 3-Wire, Process Control, 3-SPD ANA 2-Wire, 3-SPD ANA 3-Wire, Electronic Pot 2-Wire, Electronic Pot 3-Wire, Network Profile Run, Bipolar | | | | | |
| Analog Inputs | | One Differential | ±5VDC, ±10VDC, 4-20 mA and 0-20 mA, 11-bit + sign | | | | |
| | | One Single Ended | 0 - 10 VDC, 11-bit | | | | |
| | Input Impedance | 80 kOhms (Volt mode); 500 Ohms (Current mode) | | | | | |
| Analog Outputs | Analog Outputs | 2 Assignable | | | | | |
| | Full Scale Range | AOUT1 (0-5V, 0-10V, 0-20mA or 4-20mA), AOUT2 (+5V, +10V) | | | | | |
| | Source Current | 1 mA maximum (volt mode), 20mA (current mode) | | | | | |
| | Resolution | 9 bits | | | | | |
| Digital Inputs | Opto-isolated Inputs | 8 Assignable, 1 dedicated input (Drive Enable) | | | | | |
| | Rated Voltage | 10 - 30 VDC (closed contacts std) | | | | | |
| | Input Impedance | 4.71 k Ohms | | | | | |
| | Leakage Current | 10 mA maximum | | | | | |
| | Update Rate | 16 msec | | | | | |
| | Digital Outputs (2 Opto Outputs) | Rated Voltage | 5 to 30VDC | | | | |
| Maximum Current | | 60 mA Maximum | | | | | |
| ON Voltage Drop | | 2 VDC Maximum | | | | | |
| OFF Leakage Current | | 0.1 mA Maximum | | | | | |
| Output Conditions | | 25 Conditions | | | | | |
| Digital Outputs (2 Relay Outputs) | Rated Voltage | 5 to 30VDC or 240VAC | | | | | |
| | Maximum Current | 5A Maximum non-inductive | | | | | |
| | Output Conditions | 25 Conditions | | | | | |



VS1SP Inverter/Encoderless Vector – NEMA 4 Washdown Enclosure

| Catalog Number | Size | Heavy Duty | | | | Normal Duty | | | |
|---|------|------------|------|------------|-----------|-------------|-----|------------|-----------|
| | | Hp | kW | Cont. Amps | Peak Amps | Hp | kW | Cont. Amps | Peak Amps |
| 115/230 Volts - Single Phase Input | | | | | | | | | |
| VS1SP61-4B | AA | 1 | 0.75 | 4.2 | 7.4 | 2 | 1.5 | 6.8 | 8.5 |
| VS1SP62-4B | AA | 2 | 1.5 | 6.8 | 11.9 | 3 | 2.2 | 9.6 | 12 |
| VS1SP63-4B | AA | 3 | 2.2 | 9.6 | 16.8 | 3 | 2.2 | 9.6 | 12 |
| 230 Volts - Three Phase Input | | | | | | | | | |
| VS1SP21-4B | AA | 1 | 0.75 | 4.2 | 7.35 | 2 | 1.5 | 6.8 | 8.5 |
| VS1SP22-4B | AA | 2 | 1.5 | 6.8 | 11.9 | 3 | 2.2 | 9.6 | 12 |
| VS1SP23-4B | AA | 3 | 2.2 | 9.6 | 16.8 | 5 | 3.7 | 15.2 | 19 |
| VS1SP25-4B | AA | 5 | 3.7 | 15.2 | 26.6 | 7.5 | 5.6 | 22 | 27.5 |
| VS1SP27-4B | AA | 7.5 | 5.6 | 22 | 38.5 | 7.5 | 5.6 | 22 | 27.5 |
| 460 Volts - Three Phase Input | | | | | | | | | |
| VS1SP41-4B | AA | 1 | 0.75 | 2.1 | 3.68 | 2 | 1.5 | 3.4 | 4.25 |
| VS1SP42-4B | AA | 2 | 1.5 | 3.4 | 5.95 | 3 | 2.2 | 4.8 | 6 |
| VS1SP43-4B | AA | 3 | 2.2 | 4.8 | 8.4 | 5 | 3.7 | 7.6 | 9.5 |
| VS1SP45-4B | AA | 5 | 3.7 | 7.6 | 13.3 | 7.5 | 5.6 | 11 | 13.75 |
| VS1SP47-4B | AA | 7.5 | 5.6 | 11 | 19.3 | 10 | 7.5 | 14 | 17.5 |
| VS1SP410-4B | AA | 10 | 7.4 | 14 | 24.5 | 10 | 7.4 | 14 | 17.5 |
| 575 Volts - Three Phase Input | | | | | | | | | |
| VS1SP51-4B | AA | 1 | 0.75 | 1.7 | 3 | 2 | 1.5 | 2.7 | 3.4 |
| VS1SP52-4B | AA | 2 | 1.5 | 2.7 | 4.7 | 3 | 2.2 | 3.9 | 4.9 |
| VS1SP53-4B | AA | 3 | 2.2 | 3.9 | 6.8 | 5 | 3.7 | 6.1 | 7.6 |
| VS1SP55-4B | AA | 5 | 3.7 | 6.1 | 10.7 | 7.5 | 5.6 | 9 | 11.3 |
| VS1SP57-4B | AA | 7.5 | 5.6 | 9 | 15.8 | 10 | 7.5 | 11 | 13.8 |
| VS1SP510-4B | AA | 10 | 7.5 | 11 | 19.3 | 10 | 7.5 | 11 | 13.8 |

Mounting Dimensions

| Frame | Dimensions inches (mm) | | | | | Ap'x. Shpg. Wgt. |
|-------|------------------------|-------------------|-------------------|--------------------|-------------------|------------------|
| | Outside | | | Mounting | | |
| | Height Inches (mm) | Width Inches (mm) | Depth Inches (mm) | Height Inches (mm) | Width Inches (mm) | lbs. (kg) |
| AA | 12.27 (312) | 7.97 (202) | 8.21 (209) | 11.75 (298) | 7.38 (187) | 20 (9.1) |
| B | 18.00 (457) | 9.10 (231) | 9.77 (248) | 17.25 (438) | 7.00 (178) | 30 (13.6) |
| C | 22.00 (559) | 9.10 (231) | 9.77 (248) | 21.25 (540) | 7.00 (178) | 60 (27.2) |
| D | 28.00 (711) | 11.50 (292) | 13.00 (330) | 27.25 (692) | 9.50 (241) | 120 (54.4) |
| E | 41.00 (1041) | 18.75 (476) | 16.00 (406) | 39.75 (1010) | 15.75 (400) | 250 (113.4) |

VS1GV Washdown Vector Drive



1 thru 3 Hp
1 thru 75 Hp
1 thru 300 Hp
1 thru 300 Hp

115/230 VAC
230 VAC
460 VAC
575 VAC

1 Phase - 50/60 Hz
3 Phase - 50/60 Hz
3 Phase - 50/60 Hz
3 Phase - 50/60 Hz

Applications: Constant torque or constant horsepower applications. New installations, replacements and original equipment manufacturers (OEM).

Features: NEMA 4 enclosure. Output frequency 0 to 500 Hz with peak overload capacity of 175%. Digital speed or torque control. Built-in two and three input PID process control loop. Automatic tuning to motor and full rated torque down to zero speed.

| | | | | | | |
|--|-------------------------------|--|--|--|---------|---------|
| Input Ratings | Voltage | 115 | 230 | 230 | 460 | 575 |
| | Voltage Range | 95-130 | 180-264 | 180-264 | 340-528 | 515-660 |
| | Phase | Single Phase | | Three Phase (single phase with derating) | | |
| | Frequency | 50/60Hz +5% | | | | |
| | Impedance | 1% minimum from mains connection | | | | |
| Output Ratings | Horsepower | 1-3 Hp @ 115/230VAC, 1PH; 1-7.5 Hp @ 230VAC, 3PH; 1-10 Hp @ 460VAC, 3PH; 1-10 Hp @ 575VAC, 3PH | | | | |
| | Overload Capacity | Heavy Duty (Constant Torque) = 150% for 60 seconds, 175% for 3 seconds Normal Duty (Variable Torque) = 115% for 60 seconds | | | | |
| | Frequency | 0-500Hz | | | | |
| | Voltage | 0 to maximum input voltage (RMS) (Note: 0 to 230 V for 115 V Single Phase Units) | | | | |
| Protective Features | Trip | Missing control power, over current, over voltage, under voltage, over temperature (motor or control), output shorted or grounded, motor overload, encoder loss. | | | | |
| | Stall Prevention | Over voltage suppression, overcurrent suppression | | | | |
| | External Output | LED trip condition indicators, 4 assignable logic outputs, 2 assignable analog outputs | | | | |
| | Short Circuit | Phase to phase, phase to ground | | | | |
| | Electronic Motor Overload | Meets UL508C (I ² T) | | | | |
| Environmental Conditions | Temperature | -10 to 45°C. Derate 3% per °C to maximum ambient temperature of 55°C. | | | | |
| | Cooling | Forced air | | | | |
| | Enclosure | NEMA 4X | | | | |
| | Altitude | Sea level to 3300 Feet (1000 Meters) Derate 2% per 1000 Feet (303 Meters) above 3300 Feet | | | | |
| | Humidity | NEMA 4X: To 100% RH Condensing | | | | |
| | Shock / Vibration | 1G / 0.5G at 10Hz to 60Hz | | | | |
| | Storage Temperature | -10 to +65°C | | | | |
| Keypad Display | Display | LCD Graphical 128x64 Pixel | | | | |
| | Keys | 14 key membrane with tactile feedback | | | | |
| | Functions | Output status monitoring, Digital speed control, Parameter setting and display, Diagnostic and Fault log display, Motor run and jog, Local/Remote toggle, One-step tuning | | | | |
| | LED Indicators | Forward run command, Reverse run command, Stop command, Jog active | | | | |
| | Remote Mount | 200 feet (60.6m) maximum from control, NEMA 4 Rated | | | | |
| | Trip | Separate message and trace log for each trip, last 10 trips retained in memory | | | | |
| | Control Specifications | Control Method | Microprocessor controlled PWM output, selectable closed loop vector, encoderless vector or V/Hz inverter | | | |
| PWM Frequency | | Adjustable 1.5-5kHz STD, 5-16 kHz quiet | | | | |
| Frequency Setting | | ±5 VDC, 0-5 VDC ±10 VDC, 0-10 VDC, 4-20 mA or 0-20 mA; digital (keypad), Serial Comms/USB 2.0, and Modbus RTU standard | | | | |
| Accel/Decel | | 0-3600 seconds | | | | |
| Brake Torque | | 20% standard on Sizes AA and B, 1% standard on Size C, D | | | | |
| Motor Matching | | Automatic tuning to motor with manual override | | | | |
| PC Setup Software | | MINT® WorkBench Software available using the USB 2.0 port for commissioning wizard, firmware download, parameter viewer, scope capture and cloning | | | | |
| Maximum Output Frequency | | 500 Hz | | | | |
| Selectable Operating Modes | | Keypad, Standard Run, 2-Wire, Standard Run 3-Wire, 15 Preset Speeds, Fan Pump 2-Wire, Fan Pump 3-Wire, Process Control, 3-SPD ANA 2-Wire, 3-SPD ANA 3-Wire, Electronic Pot 2-Wire, Electronic Pot 3-Wire, Network Profile Run, Bipolar | | | | |
| Motor Feedback | | Feedback Type | Incremental encoder coupled to motor shaft; optional resolver feedback | | | |
| | Pulses/Rev | 60-20,000 selectable, 1024 standard | | | | |
| | Voltage Output | 2 channel in quadrature, 5 VDC, differential | | | | |
| | Marker Pulse | Required for position orientation | | | | |
| | Power Input | 5 VDC, 12 VDC, 300 mA maximum | | | | |
| | Max. Frequency | 4 MHz | | | | |
| | Positioning | Buffered encoder pulse train output for position loop controller | | | | |
| Analog Inputs | One Differential | ±5VDC, ±10VDC, 4-20 mA and 0-20 mA, 11-bit + sign | | | | |
| | One Single Ended | 0 - 10 VDC, 11-bit | | | | |
| | Input Impedance | 80 kOhms (Volt mode); 500 Ohms (Current mode) | | | | |
| Analog Outputs | Analog Outputs | 2 Assignable | | | | |
| | Full Scale Range | AOUT1 (0-5V, 0-10V, 0-20mA or 4-20mA), AOUT2 (+5V, +10V) | | | | |
| | Source Current | 1 mA maximum (volt mode), 20mA (current mode) | | | | |
| | Resolution | 9 bits | | | | |
| Digital Inputs | Opto-isolated Inputs | 8 Assignable, 1 dedicated input (Drive Enable) | | | | |
| | Rated Voltage | 10 - 30 VDC (closed contacts std) | | | | |
| | Input Impedance | 4.71 k Ohms | | | | |
| | Leakage Current | 10 mA maximum | | | | |
| | Update Rate | 16 msec | | | | |
| Digital Outputs (2 Opto Outputs) | Rated Voltage | 5 to 30VDC | | | | |
| | Maximum Current | 60 mA Maximum | | | | |
| | ON Voltage Drop | 2 VDC Maximum | | | | |
| | OFF Leakage Current | 0.1 mA Maximum | | | | |
| | Output Conditions | 25 Conditions | | | | |
| Digital Outputs (2 Relay Outputs) | Rated Voltage | 5 to 30VDC or 240VAC | | | | |
| | Maximum Current | 5A Maximum non-inductive | | | | |
| | Output Conditions | 25 Conditions | | | | |



VS1GV Closed Loop Vector – NEMA 4 Washdown Enclosure

| Catalog Number | Size | Heavy Duty | | | | Normal Duty | | | |
|---|------|------------|------|------------|-----------|-------------|-----|------------|-----------|
| | | Hp | kW | Cont. Amps | Peak Amps | Hp | kW | Cont. Amps | Peak Amps |
| 115/230 Volts - Single Phase Input | | | | | | | | | |
| VS1GV61-4B | AA | 1 | 0.75 | 4.2 | 7.4 | 2 | 1.5 | 6.8 | 8.5 |
| VS1GV62-4B | AA | 2 | 1.5 | 6.8 | 11.9 | 3 | 2.2 | 9.6 | 12 |
| VS1GV63-4B | AA | 3 | 2.2 | 9.6 | 16.8 | 3 | 2.2 | 9.6 | 12 |
| 230 Volts - Three Phase Input | | | | | | | | | |
| VS1GV21-4B | AA | 1 | 0.75 | 4.2 | 7.35 | 2 | 1.5 | 6.8 | 8.5 |
| VS1GV22-4B | AA | 2 | 1.5 | 6.8 | 11.9 | 3 | 2.2 | 9.6 | 12 |
| VS1GV23-4B | AA | 3 | 2.2 | 9.6 | 16.8 | 5 | 3.7 | 15.2 | 19 |
| VS1GV25-4B | AA | 5 | 3.7 | 15.2 | 26.6 | 7.5 | 5.6 | 22 | 27.5 |
| VS1GV27-4B | AA | 7.5 | 5.6 | 22 | 38.5 | 7.5 | 5.6 | 22 | 27.5 |
| 460 Volts - Three Phase Input | | | | | | | | | |
| VS1GV41-4B | AA | 1 | 0.75 | 2.1 | 3.68 | 2 | 1.5 | 3.4 | 4.25 |
| VS1GV42-4B | AA | 2 | 1.5 | 3.4 | 5.95 | 3 | 2.2 | 4.8 | 6 |
| VS1GV43-4B | AA | 3 | 2.2 | 4.8 | 8.4 | 5 | 3.7 | 7.6 | 9.5 |
| VS1GV45-4B | AA | 5 | 3.7 | 7.6 | 13.3 | 7.5 | 5.6 | 11 | 13.75 |
| VS1GV47-4B | AA | 7.5 | 5.6 | 11 | 19.3 | 10 | 7.5 | 14 | 17.5 |
| VS1GV410-4B | AA | 10 | 7.4 | 14 | 24.5 | 10 | 7.4 | 14 | 17.5 |
| 575 Volts - Three Phase Input | | | | | | | | | |
| VS1GV51-4B | AA | 1 | 0.75 | 1.7 | 3 | 2 | 1.5 | 2.7 | 3.4 |
| VS1GV52-4B | AA | 2 | 1.5 | 2.7 | 4.7 | 3 | 2.2 | 3.9 | 4.9 |
| VS1GV53-4B | AA | 3 | 2.2 | 3.9 | 6.8 | 5 | 3.7 | 6.1 | 7.6 |
| VS1GV55-4B | AA | 5 | 3.7 | 6.1 | 10.7 | 7.5 | 5.6 | 9 | 11.3 |
| VS1GV57-4B | AA | 7.5 | 5.6 | 9 | 15.8 | 10 | 7.5 | 11 | 13.8 |
| VS1GV510-4B | AA | 10 | 7.5 | 11 | 19.3 | 10 | 7.5 | 11 | 13.8 |

Mounting Dimensions

| Frame | Dimensions inches (mm) | | | | | Ap'x. Shpg. Wgt. |
|-------|------------------------|-------------------|-------------------|--------------------|-------------------|------------------|
| | Outside | | | Mounting | | |
| | Height Inches (mm) | Width Inches (mm) | Depth Inches (mm) | Height Inches (mm) | Width Inches (mm) | lbs. (kg) |
| AA | 12.27 (312) | 7.97 (202) | 8.21 (209) | 11.75 (298) | 7.38 (187) | 20 (9.1) |
| B | 18.00 (457) | 9.10 (231) | 9.77 (248) | 17.25 (438) | 7.00 (178) | 30 (13.6) |
| C | 22.00 (559) | 9.10 (231) | 9.77 (248) | 21.25 (540) | 7.00 (178) | 60 (27.2) |
| D | 28.00 (711) | 11.50 (292) | 13.00 (330) | 27.25 (692) | 9.50 (241) | 120 (54.4) |
| E | 41.00 (1041) | 18.75 (476) | 16.00 (406) | 39.75 (1010) | 15.75 (400) | 250 (113.4) |

Paint-Free SCR Drive Permanent Magnet DC Motors

In DC motor applications where caustic cleaning solutions and regular high-pressure wash downs may compromise the surface of a painted motor, Baldor offers Paint-Free DC motors. These motors have the same reliability-enhancing features as Baldor's Washdown Duty DC motors.



Performance Data: TEFC - Totally Enclosed Fan Cooled, 1/4 through 1 Hp

| Hp | kW | RPM | Frame | Catalog No. | Voltage Direct Current Armature | Full Load Amperage Armature | Constant Torque Speed Range | Bearing | | "C" Dim. | Conn. Diagram |
|------|------|------|-------|-------------|---------------------------------|-----------------------------|-----------------------------|---------|------|----------|---------------|
| | | | | | | | | DE | ODE | | |
| 0.25 | 0.18 | 1750 | 56C | CDPSWD3410 | 90 | 2.7 | 20:1 | 6203 | 6203 | 12.16 | CD0194 |
| 0.5 | 0.37 | 1750 | 56C | CDPSWD3430 | 90 | 5.2 | 20:1 | 6203 | 6203 | 13.66 | CD0194 |
| 1 | 0.75 | 1750 | 56C | CDPSWD3545 | 90 | 9.6 | 20:1 | 6205 | 6205 | 16.30 | CD0194 |
| 0.25 | 0.18 | 1750 | 56C | CDPSWD3406 | 180 | 1.3 | 20:1 | 6203 | 6203 | 12.16 | CD0194 |
| 0.5 | 0.37 | 1750 | 56C | CDPSWD3426 | 180 | 2.5 | 20:1 | 6203 | 6203 | 13.60 | CD0194 |
| 1 | 0.75 | 1750 | 56C | CDPSWD3555 | 180 | 4.9 | 20:1 | 6205 | 6205 | 16.30 | CD0194 |

NOTE: See page 37 for dimension drawing. See page 44 for Connection Diagrams.

Washdown Duty SCR Drive Permanent Magnet DC Motors

These DC motors are suited for food processing conveyor and feeder applications that are exposed to high-pressure washdowns. Reliability-enhancing features include: Moisture sealant on bolt heads between the frame and endplates; neoprene gasket on conduit box; double sealed ball bearings; Forsheda running contact V-ring slinger; stainless steel shaft. These motors are adaptable for use with tachometers. If closed loop operation is desired, use with Baldor Washdown Duty tachometers and tach mounting kits.



Performance Data: TENV - Totally Enclosed Non-Vented and TEFC - Totally Enclosed Fan Cooled, 1/4 through 5 Hp

| Hp | kW | RPM | Frame | Encl. | Catalog No. | Voltage Direct Current Armature | Full Load Amperage Armature | Constant Torque Speed Range | Bearing | | "C" Dim. | Conn. Diagram |
|------|------|------|---------|-------|-------------|---------------------------------|-----------------------------|-----------------------------|---------|------|----------|---------------|
| | | | | | | | | | DE | ODE | | |
| 0.25 | 0.18 | 1750 | 56C | TENV | CDPWD3310 | 90 | 2.5 | 20:1 | 6203 | 6203 | 12.25 | CD0194 |
| 0.33 | 0.25 | 1750 | 56C | TENV | CDPWD3320 | 90 | 3.2 | 20:1 | 6203 | 6203 | 13.19 | CD0194 |
| 0.5 | 0.37 | 1750 | 56C | TENV | CDPWD3330 | 90 | 4.8 | 20:1 | 6203 | 6203 | 14.94 | CD0194 |
| 0.75 | 0.56 | 1750 | 56C | TEFC | CDPWD3440 | 90 | 7.6 | 20:1 | 6203 | 6203 | 14.59 | CD0194 |
| 1 | 0.75 | 1750 | 56C | TEFC | CDPWD3445 | 90 | 10.0 | 20:1 | 6203 | 6203 | 15.46 | CD0194 |
| 0.25 | 0.18 | 1750 | 56C | TENV | CDPWD3306 | 180 | 1.25 | 20:1 | 6203 | 6203 | 12.25 | CD0194 |
| 0.33 | 0.25 | 1750 | 56C | TEFC | CDPWD3316 | 180 | 1.6 | 20:1 | 6203 | 6203 | 13.19 | CD0194 |
| 0.5 | 0.37 | 1750 | 56C | TEFC | CDPWD3326 | 180 | 2.5 | 20:1 | 6203 | 6203 | 14.94 | CD0194 |
| 0.75 | 0.56 | 1750 | 56C | TEFC | CDPWD3436 | 180 | 3.7 | 20:1 | 6203 | 6203 | 14.59 | CD0194 |
| 1 | 0.75 | 1750 | 56C | TEFC | CDPWD3455 | 180 | 5.0 | 20:1 | 6203 | 6203 | 15.46 | CD0194 |
| 1.5 | 1.1 | 1750 | 145TC | TEFC | CDPWD3575 | 180 | 7.7 | 20:1 | 6205 | 6205 | 17.17 | CD0194 |
| 2 | 1.5 | 1750 | 145TC | TEFC | CDPWD3585 | 180 | 9.6 | 20:1 | 6205 | 6205 | 18.17 | CD0194 |
| 3 | 2.2 | 1750 | 184TC | TEFC | CDPWD3603 | 180 | 14.0 | 20:1 | 6206 | 6206 | 24.33 | CD0194 |
| 5 | 3.7 | 1750 | 1810ATC | TEFC | CDPWD3605 | 180 | 24.5 | 20:1 | 6206 | 6206 | 27.83 | CD0194 |

NOTE: See page 37 for dimension drawing. See page 44 for Connection Diagrams. See page 34 for dimensions. Data subject to change without notice. Contact Baldor for certified data.

NEMA 4X Washdown Duty DC SCR Controls

Baldor offers several models of Washdown Duty DC controls, all in NEMA 4X enclosures. Models include Line Regen and PMW versions. Baldor also offers a variety of Washdown Duty Control accessories, including brake-reverse kits, a run/jog switch, an auto/manual installation kit and an AC line switch kit.

BC154, BCWD140 and BC160 are one-way controls with reversal by means of switching the armature leads (BCWD140 has a forward/break/reverse switch mounted). BC254 is a line regenerative SCR control that can drive the motor to a timed stop. BC354 is a PWM control that provides low-ripple DC power to the motor allowing more Hp when used with a 140 or 280 VDC motor. All offer a choice of armature or tachometer feedback and a speed or torque mode. Output current is jumper selectable. BC154, BC160, BC254 and BC354 are painted black and come with a start-stop switch. BCWD140 comes with white epoxy paint and also forward/break/reverse and run-jog switches.



115 and 230 Volt, Single Phase

| Hp Range | Catalog No. | Input Voltage | Description Input Voltage / Max. Hp | Ap'x. Shpg. Wgt. |
|---|----------------|---------------|--|------------------|
| NEMA 4X SCR | | | | |
| 1/4-2 | BC154 | 115/230 | 120V - 1 Hp, 230V - 2 Hp | 5 |
| 3 | BC160 | 230 | 230V - 3 Hp | 3 |
| NEMA 4X Washdown Duty SCR | | | | |
| 1/4-2 | BCWD140 | 115/230 | 120V - 1 Hp, 230V - 2 Hp | 6 |
| NEMA 4X Washdown Duty Line Regen SCR | | | | |
| 1/8-2 | BC254 | 115/230 | 120V - 1 Hp, 230V - 2 Hp | 5 |
| NEMA 4X Washdown Duty PMW DC * | | | | |
| 1/4-2 | BC354 | 115/230 | 120V - 1 Hp, 230V - 2 Hp | 5 |

NOTE: * Output current is 7.5 amps; Output voltage is 140VDC for 115VAC input - 280VDC for 230VAC input. Motors designed for these voltages will give the best performance. See page 38 for dimension drawing.

DC SCR Washdown Duty Control Accessories

| Catalog No. | Description | Ap'x Shpg. Wgt. |
|--------------|--|-----------------|
| BC153 | Electronic Forward-Dynamic Brake-Reverse Kit for BC154 | 1 |
| BC156 | Mechanical Forward-Dynamic Brake-Reverse Switch for BC154 | 1 |
| BC157 | Run/Jog switch for BC154 & BC160 | 1 |
| BC158 | Auto/Manual Installation Kit for BC145 signal isolator for BC154 & BC160 | 1 |
| BC159 | AC Line Switch Kit for BC154, BCWD140 | 1 |

Washdown Tachometers

When looking to improve regulation of a Washdown Duty SCR motor control under varying speed and load conditions, Baldor Washdown Tachometers provide basic motor feedback. Two models of tachs are available from stock, both with washdown IP65 enclosures. Tach mounting kits are also available from Baldor.



DC Tach Generators Motor, PY Flange Mounting

| Catalog Number | Type | Voltage | Weight LBS. |
|--------------------|-------|------------------|-------------|
| PTGWD50XPS | XPYII | 50 VDC/1000 RPM | 15 |
| PTGWD100XPS | XPYII | 100 VDC/1000 RPM | 15 |

Stainless Steel Right Angle, Quill Type Gear Reducer

These stainless steel, solid shaft reducers are designed for applications where use of caustic cleaning solutions and regular high-pressure wash downs may compromise the surface of a painted gear reducer. They are ideal for food, pharmaceutical or chemical processing.



Features include: Housings, output shaft & hardware are stainless steel to endure hostile environments. The new totally enclosed, vent-less, o-ring sealed system is pre-filled with Klubersynth UH1-6-460 synthetic lubricant. The lubricant accommodates a wide range of operating temperatures and runs cooler than other popular synthetics, providing maintenance-free lubed for life operation. In addition, it is suitable for food grade (H1) applications. Units are also BISSC certified (Baking Industry Sanitation Standards Committee).

Solid Shaft Reducers

| Nominal Output RPM @ 1750 RPM In | Gear Ratio | Continuous Duty Output Torque (In-Lbs) Based on 1750 RPM Motor | | | | | | | | Max Input Hp | Max Output Torque Rating In-Lbs | NEMA Motor Mount | Style No. | Catalog No. | Ap'x Shpg. Wgt. | |
|----------------------------------|------------|--|------|-----|------|------|------|------|-----|--------------|---------------------------------|------------------|-----------|-----------------|-----------------|------------|
| | | 0.25 | 0.33 | 0.5 | 0.75 | 1 | 1.5 | 2 | 3 | | | | | | | 5 |
| 350 | 5 | | | | | 160 | 240 | 320 | | | 2.00 | 320 | 56C | SSF-918-05-B5-G | SSGF0518AG | 25 |
| | 5 | | | | | 160 | 240 | 320 | | | 2.00 | 320 | 140TC | SSF-918-05-B7-G | SSGF0518BG | 25 |
| | 5 | | | | | | 246 | 327 | 491 | | 3.14 | 514 | 140TC | SSF-921-05-B7-G | SSGF0521BG | 31 |
| | 5 | | | | | | | | 339 | 508 | 847 | 5.43 | 919 | 140TC | SSF-926-05-B7-G | SSGF0526BG |
| 175 | 10 | | | | 214 | 285 | 428 | | | | 1.50 | 428 | 56C | SSF-918-10-B5-G | SSGF1018AG | 25 |
| | 10 | | | | 214 | 285 | 428 | | | | 1.50 | 428 | 140TC | SSF-918-10-B7-G | SSGF1018BG | 25 |
| | 10 | | | | | 312 | 468 | 624 | | | 2.02 | 630 | 140TC | SSF-921-10-B7-G | SSGF1021BG | 31 |
| | 10 | | | | | | | 655 | 983 | | 3.59 | 1177 | 140TC | SSF-926-10-B7-G | SSGF1026BG | 54 |
| 117 | 15 | | | 209 | 314 | 419 | | | | | 1.07 | 448 | 56C | SSF-918-15-B5-G | SSGF1518AG | 25 |
| | 15 | | | 246 | 369 | 492 | | | | | 1.35 | 664 | 56C | SSF-921-15-B5-G | SSGF1521AG | 31 |
| | 15 | | | | | 473 | 710 | 947 | | | 2.58 | 1225 | 140TC | SSF-926-15-B7-G | SSGF1526BG | 54 |
| 88 | 20 | | 165 | 251 | 376 | | | | | | 0.92 | 461 | 56C | SSF-918-20-B5-G | SSGF2018AG | 25 |
| | 20 | | | 212 | 484 | 645 | | | | | 1.06 | 684 | 56C | SSF-921-20-B5-G | SSGF2021AG | 31 |
| | 20 | | | | | 609 | 913 | 1218 | | | 2.15 | 1308 | 140TC | SSF-926-20-B7-G | SSGF2026BG | 54 |
| 70 | 25 | | 183 | 277 | 416 | | | | | | 0.80 | 444 | 56C | SSF-918-25-B5-G | SSGF2518AG | 25 |
| | 25 | | 250 | 379 | 569 | | | | | | 0.89 | 675 | 56C | SSF-921-25-B5-G | SSGF2521AG | 31 |
| | 25 | | | | 567 | 756 | 1134 | | | | 1.73 | 1307 | 140TC | SSF-926-25-B7-G | SSGF2526BG | 54 |
| 58 | 30 | | 216 | 327 | | | | | | | 0.72 | 470 | 56C | SSF-918-30-B5-G | SSGF3018AG | 25 |
| | 30 | | 275 | 416 | 624 | | | | | | 0.83 | 691 | 56C | SSF-921-30-B5-G | SSGF3021AG | 31 |
| | 30 | | | | 641 | 854 | 1281 | | | | 1.54 | 1313 | 140TC | SSF-926-30-B7-G | SSGF3026BG | 54 |
| 44 | 40 | 180 | 238 | 360 | | | | | | | 0.64 | 461 | 56C | SSF-918-40-B5-G | SSGF4018AG | 25 |
| | 40 | | 340 | 515 | | | | | | | 0.66 | 680 | 56C | SSF-921-40-B5-G | SSGF4021AG | 31 |
| | 40 | | | 524 | 786 | 1049 | | | | | 1.23 | 1296 | 140TC | SSF-926-40-B7-G | SSGF4026BG | 54 |
| 35 | 50 | 222 | 294 | | | | | | | | 0.49 | 436 | 56C | SSF-918-50-B5-G | SSGF5018AG | 25 |
| | 50 | 280 | 370 | 561 | | | | | | | 0.58 | 651 | 56C | SSF-921-50-B5-G | SSGF5021AG | 31 |
| | 50 | | | 621 | 932 | 1242 | | | | | 1.00 | 1242 | 56C | SSF-926-50-B5-G | SSGF5026AG | 54 |
| 29 | 60 | 220 | 290 | | | | | | | | 0.47 | 413 | 56C | SSF-918-60-B5-G | SSGF6018AG | 25 |
| | 60 | 317 | 418 | 634 | | | | | | | 0.50 | 634 | 56C | SSF-921-60-B5-G | SSGF6021AG | 31 |
| | 60 | | 473 | 716 | 1074 | | | | | | 0.82 | 1166 | 56C | SSF-926-60-B5-G | SSGF6026AG | 54 |

NOTE: Service Class I Torque Ratings
 Service Class II Torque Ratings
 Service Class III Torque Ratings

NOTE: See page 40 for dimension drawing.
 See page 25 for optional Stainless Steel bases.
 Data subject to change without notice. Contact Baldor for certified data.

Stainless Steel Right Angle, Quill Type Gear Reducer

These stainless steel, hollow bore reducers are designed for applications where use of caustic cleaning solutions and regular high-pressure wash downs may compromise the surface of a painted gear reducer. They are ideal for food, pharmaceutical or chemical processing.

Features include: Housings, output shaft & hardware are stainless steel to endure hostile environments. The new totally enclosed, vent-less, o-ring sealed system is pre-filled with Klubersynth UH1-6-460 synthetic lubricant. The lubricant accommodates a wide range of operating temperatures and runs cooler than other popular synthetics, providing maintenance-free lubed for life operation. In addition, it is suitable for food grade (H1) applications. Units are also BISSC certified (Baking Industry Sanitation Standards Committee).



Hollow Bore Gear Reducers

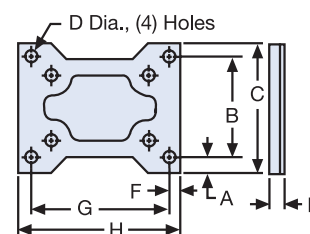
| Nominal Output RPM @ 1750 RPM In | Gear Ratio | Continuous Duty Output Torque (In-Lbs) | | | | | | | Max Input Hp | Max Output Torque Rating In-Lbs | NEMA Motor Mount | Style No. | Catalog No. | Ap'x Shpg. Wgt. |
|----------------------------------|------------|--|------|-----|------|------|------|-----|--------------|---------------------------------|------------------|------------------|-------------|-----------------|
| | | Based on 1750 RPM Motor | | | | | | | | | | | | |
| | | 0.25 | 0.33 | 0.5 | 0.75 | 1 | 1.5 | 2 | | | | | | |
| 350 | 5 | | | | | 160 | 240 | 320 | 2.00 | 320 | 56C | SSHF-918-05-B5-H | SSGHF0518AH | 27 |
| 175 | 10 | | | | 214 | 285 | 428 | | 1.50 | 428 | 56C | SSHF-918-10-B5-H | SSGHF1018AH | 27 |
| | 10 | | | | 312 | 468 | 624 | | 2.02 | 630 | 56C | SSHF-921-10-B5-H | SSGHF1021AH | 33 |
| 117 | 15 | | | 209 | 314 | 419 | | | 1.07 | 448 | 56C | SSHF-918-15-B5-H | SSGHF1518AH | 27 |
| | 15 | | | 246 | 369 | 492 | | | 1.35 | 664 | 56C | SSHF-921-15-B5-H | SSGHF1521AH | 33 |
| 88 | 20 | 165 | 251 | 376 | | | | | 0.92 | 461 | 56C | SSHF-918-20-B5-H | SSGHF2018AH | 27 |
| | 20 | | 323 | 484 | 645 | | | | 1.06 | 684 | 56C | SSHF-921-20-B5-H | SSGHF2021AH | 33 |
| | 20 | | | | 609 | 913 | 1218 | | 2.15 | 1309 | 56C | SSHF-926-20-B7-H | SSGHF2026AH | 57 |
| 58 | 30 | 216 | 327 | | | | | | 0.72 | 470 | 56C | SSHF-918-30-B5-H | SSGHF3018AH | 27 |
| | 30 | 275 | 416 | 624 | | | | | 0.83 | 691 | 56C | SSHF-921-30-B5-H | SSGHF3021AH | 33 |
| | 30 | | | 641 | 854 | 1281 | | | 1.54 | 1313 | 56C | SSHF-926-30-B5-H | SSGHF3026AH | 57 |
| 44 | 40 | 180 | 238 | 360 | | | | | 0.64 | 461 | 56C | SSHF-918-40-B5-H | SSGHF4018AH | 27 |
| | 40 | | 340 | 515 | | | | | 0.66 | 680 | 56C | SSHF-921-40-B5-H | SSGHF4021AH | 33 |
| | 40 | | | 524 | 786 | 1049 | | | 1.23 | 1296 | 140TC | SSHF-926-40-B7-H | SSGHF4026BH | 57 |
| 35 | 50 | 222 | 294 | | | | | | 0.49 | 436 | 56C | SSHF-918-50-B5-H | SSGHF5018AH | 27 |
| | 50 | 280 | 370 | 561 | 932 | 1242 | | | 0.58 | 651 | 56C | SSHF-921-50-B5-H | SSGHF5021AH | 33 |
| 29 | 60 | 220 | 290 | | | | | | 0.47 | 413 | 56C | SSHF-918-60-B5-H | SSGHF6018AH | 27 |
| | 60 | 317 | 418 | 634 | | | | | 0.50 | 634 | 56C | SSHF-921-60-B5-H | SSGHF6021AH | 33 |
| | 60 | | 473 | 716 | 1074 | | | | 0.82 | 1166 | 56C | SSHF-926-60-B5-H | SSGHF6026AH | 57 |

NOTE: Service Class I Torque Ratings
 Service Class II Torque Ratings
 Service Class III Torque Ratings

NOTE: See page 41 for dimension drawing.
 Data subject to change without notice. Contact Baldor for certified data.

Optional Stainless Steel Base Kits

| Base | Size | Catalog Number | Weight | A | B | C | D | E | F | G | H |
|-------|-----------|----------------|--------|------|------|------|------|------|------|------|------|
| Horiz | 918 (A,B) | SSB18H71 | 8 | 0.62 | 4.50 | 5.56 | 0.44 | 0.69 | 0.62 | 5.75 | 7.00 |
| Horiz | 921 (A,B) | SSB21H71 | 10 | 0.66 | 4.69 | 5.76 | 0.50 | 0.72 | 0.66 | 6.38 | 7.69 |
| Horiz | 926 (A,B) | SSB26H71 | 13 | 0.63 | 5.25 | 6.50 | 0.56 | 0.75 | 0.63 | 8.00 | 9.25 |



Washdown Right Angle, Quill Type Gear Reducer

These solid shaft gear reducers are great for food processing and other applications where the unit is exposed to regular, high-pressure washdowns.

Features include: Cast iron housing is coated with an FDA approved epoxy for corrosion prevention. Output shaft & hardware are stainless steel to endure caustic washdown environments. The new totally enclosed, vent-less, o-ring sealed system is pre-filled with Klubersynth UH1-6-460 synthetic lubricant. The lubricant accommodates a wide range of operating temperatures and runs cooler than other popular synthetics, providing maintenance-free lubed for life operation. In addition, it is suitable for food grade (H1) applications. Units are also BISSC certified (Baking Industry Sanitation Standards Committee).






| Nominal Output RPM @ 1750 RPM In | Gear Ratio | Continuous Duty Output Torque (In-Lbs) Output Based on 1750 RPM Motor | | | | | | Max Input Hp | Max Torque Rating In-Lbs | NEMA Motor Mount | Style No. | Catalog No. | Ap'x Shpg. Wgt. | |
|----------------------------------|------------|---|------|-----|------|-----|------|--------------|--------------------------|------------------|-----------|-----------------|-----------------|----|
| | | 0.25 | 0.33 | 0.5 | 0.75 | 1 | 1.5 | | | | | | | 2 |
| 350 | 5 | | | | | 160 | 240 | 320 | 2.00 | 320 | 56C | WDF-918-05-B5-G | WDGF0518AG | 25 |
| | 10 | | 82 | 125 | 187 | | | | 0.90 | 225 | 56C | WDF-913-10-B5-G | WDGF1013AG | 15 |
| 175 | 10 | | | 141 | 211 | 282 | | | 1.03 | 290 | 56C | WDF-915-10-B5-G | WDGF1015AG | 25 |
| | 10 | | | | 214 | 285 | 428 | | 1.50 | 428 | 56C | WDF-918-10-B5-G | WDGF1018AG | 25 |
| | 10 | | | | | 312 | 468 | 624 | 2.02 | 630 | 56C | WDF-921-10-B5-G | WDGF1021AG | 31 |
| | 10 | | | | | 317 | 475 | 634 | 2.73 | 893 | 140TC | WDF-924-10-B7-G | WDGF1024BG | 38 |
| 117 | 15 | 89 | 118 | 179 | | | | | 0.66 | 225 | 56C | WDF-913-15-B5-G | WDGF1513AG | 15 |
| | 15 | | 127 | 193 | 289 | | | | 0.81 | 312 | 56C | WDF-915-15-B5-G | WDGF1515AG | 25 |
| | 15 | | | 209 | 314 | 419 | | | 1.07 | 448 | 56C | WDF-918-15-B5-G | WDGF1518AG | 25 |
| | 15 | | | 246 | 369 | 492 | | | 1.35 | 664 | 56C | WDF-921-15-B5-G | WDGF1521AG | 31 |
| | 15 | | | | | 470 | 705 | 939 | 2.11 | 992 | 56C | WDF-924-15-B5-G | WDGF1524AG | 38 |
| 88 | 20 | 113 | 149 | 226 | | | | | 0.53 | 239 | 56C | WDF-913-20-B5-G | WDGF2013AG | 15 |
| | 20 | 128 | 169 | 256 | | | | | 0.62 | 317 | 56C | WDF-915-20-B5-G | WDGF2015AG | 25 |
| | 20 | | 165 | 251 | 376 | | | | 0.92 | 461 | 56C | WDF-918-20-B5-G | WDGF2018AG | 25 |
| | 20 | | | | | 609 | 913 | 1218 | 2.15 | 1309 | 140TC | WDF-926-20-B7-G | WDGF2026BG | 54 |
| 88 | 30 | | 216 | 327 | | | | | 0.72 | 470 | 56C | WDF-918-30-B5-G | WDGF3018AG | 25 |
| | 30 | | 275 | 416 | 624 | | | | 0.83 | 691 | 56C | WDF-921-30-B5-G | WDGF3021AG | 31 |
| | 30 | | | 420 | 630 | 840 | | | 1.32 | 111 | 56C | WDF-924-30-B5-G | WDGF3024AG | 38 |
| | 30 | | | | 641 | 854 | 1281 | | 1.54 | 1313 | 56C | WDF-926-30-B5-G | WDGF3026AG | 54 |
| | 30 | | | | | 881 | 1322 | 1763 | 2.81 | 2462 | 140TC | WDF-932-30-B7-G | WDGF3032BG | 97 |

NOTE: Service Class I Torque Ratings
 Service Class II Torque Ratings
 Service Class III Torque Ratings

NOTE: See page 39 for dimension drawing.
 Data subject to change without notice. Contact Baldor for certified data.

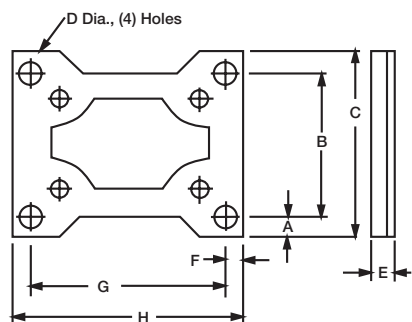
Washdown Right Angle, Quill Type Gear Reducer continued...

| Nominal Output RPM @ 1750 RPM In | Gear Ratio | Continuous Duty Output Torque (In-Lbs) Output | | | | | | Max Input Hp | Max Torque Rating In-Lbs | NEMA Motor Mount | Style No. | Catalog No. | Ap'x Shpg. Wgt. |
|----------------------------------|------------|---|------|-----|------|------|------|--------------|--------------------------|------------------|-----------------|-----------------|-----------------|
| | | Based on 1750 RPM Motor | | | | | | | | | | | |
| | | 0.25 | 0.33 | 0.5 | 0.75 | 1 | 1.5 | | | | | | |
| 44 | 40 | 180 | 238 | 360 | | | | 0.64 | 461 | 56C | WDF-918-40-B5-G | WDGF4018AG | 25 |
| | 40 | | 340 | 515 | | | | 0.66 | 680 | 56C | WDF-921-40-B5-G | WDGF4021AG | 31 |
| | 40 | | | 521 | 781 | | | 0.99 | 1030 | 56C | WDF-924-40-B5-G | WDGF4024AG | 38 |
| | 40 | | | 524 | 786 | 1049 | | 1.23 | 1296 | 56C | WDF-926-40-B5-G | WDGF4026AG | 54 |
| | 40 | | | | | 1081 | 1622 | 2163 | 2.20 | 2374 | 140TC | WDF-932-40-B7-G | WDGF4032BG |
| 35 | 50 | 177 | 234 | | | | | 0.33 | 234 | 56C | WDF-913-50-B5-G | WDGF5013AG | 15 |
| | 50 | 280 | 370 | 561 | | | | 0.58 | 651 | 56C | WDF-921-50-B5-G | WDGF5021AG | 31 |
| | 50 | | 401 | 608 | 912 | | | 0.83 | 1014 | 56C | WDF-924-50-B5-G | WDGF5024AG | 38 |
| | 50 | | | 621 | 932 | 1242 | | 1.00 | 1242 | 56C | WDF-926-50-B5-G | WDGF5026AG | 54 |
| 29 | 60 | 218 | 288 | | | | | 0.33 | 288 | 56C | WDF-915-60-B5-G | WDGF6015AG | 25 |
| | 60 | 220 | 290 | | | | | 0.47 | 413 | 56C | WDF-918-60-B5-G | WDGF6018AG | 25 |
| | 60 | 317 | 418 | 634 | | | | 0.50 | 634 | 56C | WDF-921-60-B5-G | WDGF6021AG | 31 |
| | 60 | | 458 | 693 | | | | 0.69 | 956 | 56C | WDF-924-60-B5-G | WDGF6024AG | 38 |
| | 60 | | 473 | 716 | 1074 | | | 0.82 | 1166 | 56C | WDF-926-60-B5-G | WDGF6026AG | 54 |
| | 60 | | | | 1100 | 1467 | 2200 | 1.54 | 2255 | 56C | WDF-932-60-B5-G | WDGF6032AG | 97 |

NOTE:  Service Class I Torque Ratings
 Service Class II Torque Ratings
 Service Class III Torque Ratings

NOTE: Optional Shaft Positions, Base Installation and Motor Mounting available through Mod Express. Refer to a Baldor District Office for pricing and delivery. See page 39 for dimension drawing. Data subject to change without notice. Contact Baldor for certified data.

Optional Gear Reducer Base Kits

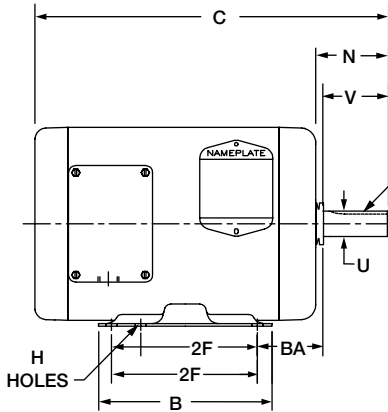


| Base | Size (Position) | Catalog Number | A | B | C | D | E | F | G | H | Ap'x Wgt. Lbs. |
|--------|-----------------|----------------|------|------|------|------|------|------|------|-------|----------------|
| Horiz. | 913 (A,B) | WDB13H71 | 0.44 | 3.31 | 4.19 | 0.34 | 0.53 | 0.50 | 4.38 | 5.38 | 2 |
| Horiz. | 915 (A,B) | WDB15H71 | 0.57 | 4.31 | 5.44 | 0.41 | 0.60 | 0.60 | 5.25 | 6.44 | 6 |
| Horiz. | 918 (A,B) | WDB18H71 | 0.59 | 4.50 | 5.69 | 0.41 | 0.69 | 0.63 | 5.75 | 7.00 | 6 |
| Horiz. | 921 (A,B) | WDB21H71 | 0.63 | 4.69 | 5.94 | 0.47 | 0.72 | 0.9 | 6.38 | 7.75 | 6 |
| Horiz. | 924 (A,B) | WDB24H71 | 0.66 | 4.88 | 6.19 | 0.47 | 0.75 | 0.72 | 7.06 | 8.50 | 7 |
| Horiz. | 926 (A,B) | WDB26H71 | 0.70 | 5.25 | 6.66 | 0.53 | 0.75 | 0.81 | 8.00 | 9.63 | 9 |
| Horiz. | 930 (A,B) | WDB30H71 | 0.78 | 5.88 | 7.50 | 0.53 | 0.75 | 0.81 | 8.44 | 10.00 | 6 |
| Horiz. | 932 (A,B) | WDB32H71 | 0.77 | 6.13 | 7.66 | 0.53 | 0.88 | 0.84 | 9.50 | 11.19 | 13 |

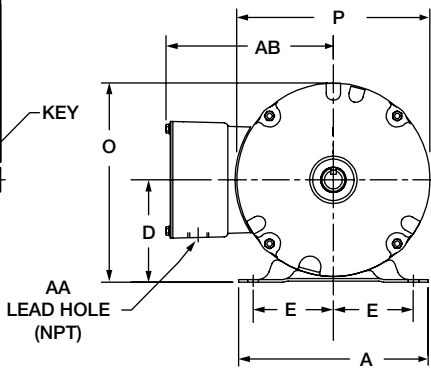
Dimension Drawings

Washdown NEMA 56 through 256TC

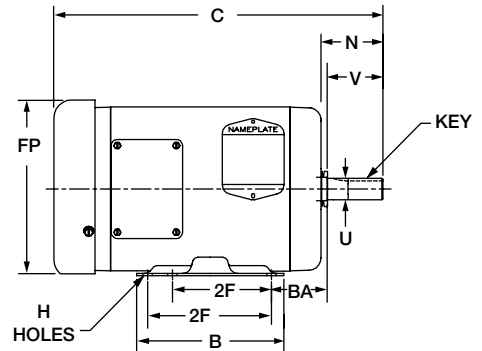
TENV Enclosure



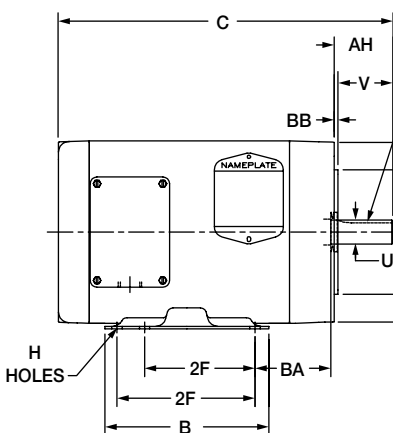
Base Mount



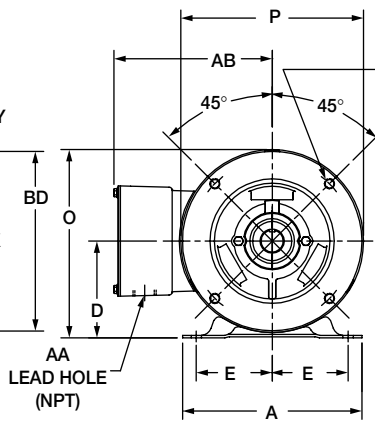
TEFC Enclosure



TENV Enclosure

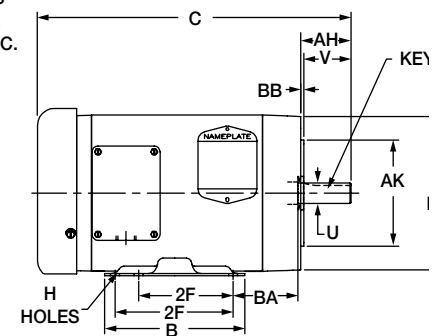


C-face with or without Base



TEFC Enclosure

4 HOLES
TAP B.F.C.
AJ DIA. B.C.



Catalog No. starting with "C" = C-face with base.
Catalog No. starting with "V" = C-face, no base.

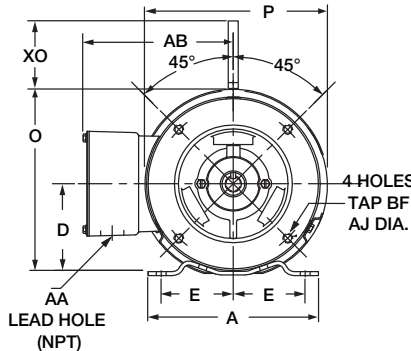
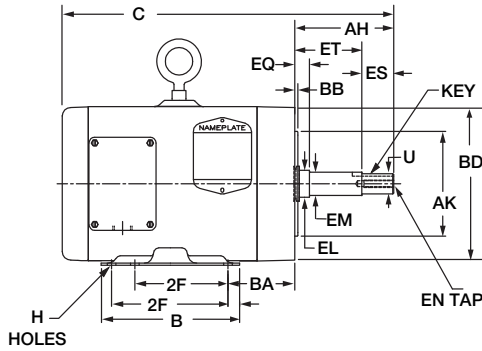
| NEMA Frame | A | B | D | E | 2F | H | N | O | P | U | V | AA | AB | AH | AJ | BF TAP | AK | BA | BB | BD |
|------------|-------|-------|------|------|-------|------|------|-------|-------|-------|------|------|------|------|------|--------|------|------|------|------|
| 56 | 6.50 | 4.50 | 3.50 | 2.44 | 3.00 | 0.34 | 2.44 | 6.81 | 6.62 | 0.625 | 1.88 | 0.50 | 5.22 | - | - | 3/8-16 | - | 2.75 | - | - |
| 56C | 6.50 | 4.50 | 3.50 | 2.44 | 3.00 | 0.34 | - | 6.81 | 6.62 | 0.625 | 1.88 | 0.50 | 5.22 | 2.06 | 5.88 | 3/8-16 | 4.50 | 2.75 | 0.12 | 6.50 |
| 143T | 6.50 | 5.94 | 3.50 | 2.75 | 4.00 | 0.34 | 2.50 | 6.81 | 6.62 | 0.875 | 2.25 | 0.50 | 5.22 | - | - | 3/8-16 | - | 2.25 | - | - |
| 143TC | 6.50 | 5.94 | 3.50 | 2.75 | 4.00 | 0.34 | - | 6.81 | 6.62 | 0.875 | 2.25 | 0.50 | 5.22 | 2.12 | 5.88 | 3/8-16 | 4.50 | 2.75 | 0.12 | 6.50 |
| 145T | 6.50 | 5.94 | 3.50 | 2.75 | 5.00 | 0.34 | 2.50 | 6.81 | 6.62 | 0.875 | 2.25 | 0.50 | 5.22 | - | - | 3/8-16 | - | 2.25 | - | - |
| 145TC | 6.50 | 5.94 | 3.50 | 2.75 | 5.00 | 0.34 | - | 6.81 | 6.62 | 0.875 | 2.25 | 0.50 | 5.22 | 2.12 | 5.88 | 3/8-16 | 4.50 | 2.75 | 0.12 | 6.50 |
| 182T | 8.63 | 6.50 | 4.50 | 3.75 | 4.50 | 0.41 | 3.56 | 8.44 | 7.88 | 1.125 | 2.75 | 0.75 | 5.97 | - | - | 1/2-13 | - | 2.75 | - | - |
| 182TC | 8.63 | 6.50 | 4.50 | 3.75 | 4.50 | 0.41 | - | 8.44 | 7.88 | 1.125 | 2.75 | 0.75 | 5.97 | 2.62 | 7.25 | 1/2-13 | 8.50 | 3.50 | 0.25 | 8.89 |
| 184T | 8.63 | 6.50 | 4.50 | 3.75 | 5.50 | 0.41 | 3.56 | 8.44 | 7.88 | 1.125 | 2.75 | 0.75 | 5.97 | - | - | 1/2-13 | - | 2.75 | - | - |
| 184TC | 8.63 | 6.50 | 4.50 | 3.75 | 5.50 | 0.41 | - | 8.44 | 7.88 | 1.125 | 2.75 | 0.75 | 5.97 | 2.62 | 7.25 | 1/2-13 | 8.50 | 3.50 | 0.25 | 8.89 |
| 213T | 9.50 | 8.00 | 5.25 | 4.25 | 5.50 | 0.41 | 3.88 | 10.03 | 9.56 | 1.375 | 3.37 | 0.75 | 7.46 | - | - | 1/2-13 | - | 3.50 | - | - |
| 213TC | 9.50 | 8.00 | 5.25 | 4.25 | 5.50 | 0.41 | - | 10.03 | 9.56 | 1.375 | 3.37 | 0.75 | 7.46 | 3.12 | 7.25 | 1/2-13 | 8.50 | 4.50 | 0.25 | 9.04 |
| 215T | 9.50 | 8.00 | 5.25 | 4.25 | 7.00 | 0.41 | 3.88 | 10.03 | 9.56 | 1.375 | 3.37 | 0.75 | 7.46 | - | - | 1/2-13 | - | 3.50 | - | - |
| 215TC | 9.50 | 8.00 | 5.25 | 4.25 | 7.00 | 0.41 | - | 10.03 | 9.56 | 1.375 | 3.37 | 0.75 | 7.46 | 3.12 | 7.25 | 1/2-13 | 8.50 | 4.50 | 0.25 | 9.04 |
| 254TC | 11.25 | 9.50 | 6.25 | 5.00 | 8.25 | 0.53 | - | 12.00 | 11.50 | 1.625 | 4.00 | 1.25 | 8.99 | 3.75 | 7.25 | 1/2-13 | 8.50 | 4.75 | 0.25 | 9.44 |
| 256TC | 11.25 | 11.25 | 6.25 | 5.00 | 10.00 | 0.53 | - | 12.00 | 11.50 | 1.625 | 4.00 | 1.25 | 8.99 | 3.75 | 7.25 | 1/2-13 | 8.50 | 4.75 | 0.25 | 9.44 |

NOTE: Dimension for reference only. Contact a Baldor District Office or www.baldor.com for the detailed dimension drawing for your specific catalog number.

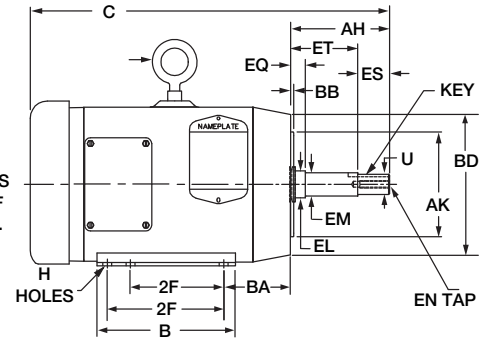
Dimension Drawings

Washdown Duty Close-Coupled Pump NEMA 143JM through 215JM

TENV Enclosure



TEFC Enclosure



| NEMA Frame | A | B | D | E | 2F | H | KEY | O | P | U | AA | AB | AH | AJ | BF TAP | AK | BA | BB | BD | XO |
|------------|------|------|------|------|------|------|------|-------|------|-------|------|------|------|------|--------|------|------|------|------|------|
| 143JM | 6.50 | 5.94 | 3.50 | 2.75 | 4.00 | 0.34 | 0.19 | 6.81 | 6.63 | 0.875 | 0.50 | 5.73 | 4.25 | 5.88 | 3/8-16 | 4.50 | 2.88 | 0.12 | 6.50 | — |
| 145JM | 6.50 | 5.94 | 3.50 | 2.75 | 5.00 | 0.34 | 0.19 | 6.81 | 6.63 | 0.875 | 0.50 | 5.73 | 4.25 | 5.88 | 3/8-16 | 4.50 | 2.88 | 0.12 | 6.50 | — |
| 182JM | 8.63 | 6.50 | 4.50 | 3.75 | 4.50 | 0.41 | 0.19 | 8.44 | 7.88 | 0.875 | 0.75 | 6.86 | 4.25 | 5.88 | 1/2-13 | 4.50 | 3.50 | 0.12 | 6.50 | 2.40 |
| 184JM | 8.63 | 6.50 | 4.50 | 3.75 | 5.50 | 0.41 | 0.19 | 8.44 | 7.88 | 0.875 | 0.75 | 6.86 | 4.25 | 5.88 | 1/2-13 | 4.50 | 3.50 | 0.12 | 6.50 | 2.40 |
| 213JM | 9.50 | 8.00 | 5.25 | 4.25 | 5.50 | 0.41 | 0.19 | 10.03 | 9.56 | 0.875 | 0.75 | 7.45 | 4.25 | 7.25 | 1/2-13 | 8.50 | 4.50 | 0.25 | 9.06 | 2.40 |
| 215JM | 9.50 | 8.00 | 5.25 | 4.25 | 7.00 | 0.41 | 0.19 | 10.03 | 9.56 | 0.875 | 0.75 | 7.45 | 4.25 | 7.25 | 1/2-13 | 8.50 | 4.50 | 0.25 | 9.06 | 2.40 |

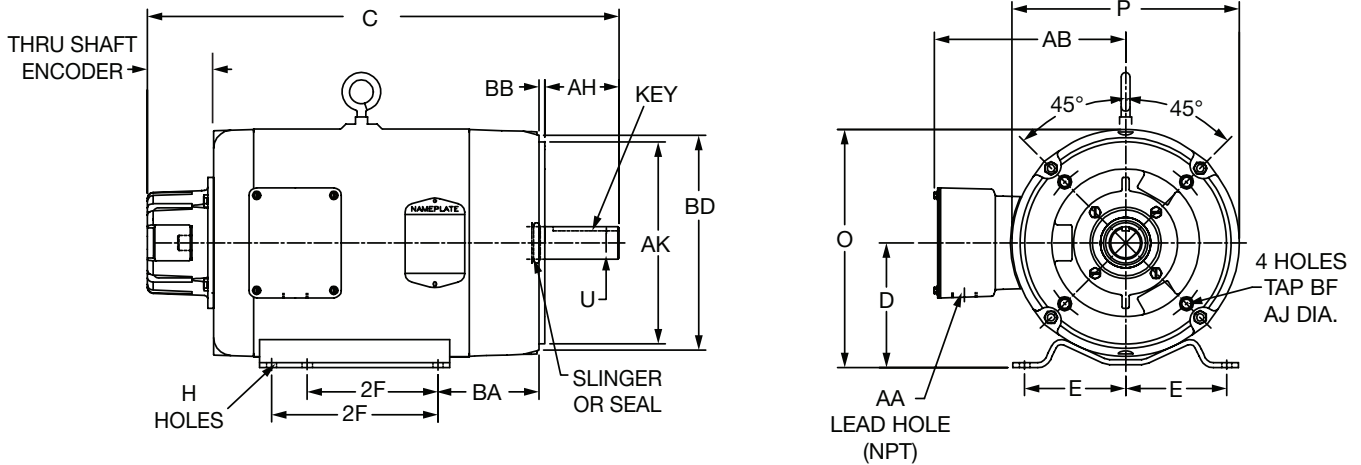
Washdown Closed-Coupled Pump Shaft Motors

| NEMA Frame | EL | EM | EN | EQ | ES | ET |
|------------|------|-----|----------------|-------|------|-------|
| 143JM | 1.15 | 1.0 | 0.38-16 x 0.88 | 0.625 | 1.38 | 2.875 |
| 145JM | 1.15 | 1.0 | 0.38-16 x 0.88 | 0.625 | 1.38 | 2.875 |
| 182JM | 1.25 | 1.0 | 0.38-16 x 0.88 | 0.625 | 1.38 | 2.875 |
| 184JM | 1.25 | 1.0 | 0.38-16 x 0.88 | 0.625 | 1.38 | 2.875 |
| 213JM | 1.25 | 1.0 | 0.38-16 x 0.88 | 0.625 | 1.38 | 2.875 |
| 215JM | 1.25 | 1.0 | 0.38-16 x 0.88 | 0.625 | 1.38 | 2.875 |

NOTE: Dimension for reference only. Contact a Baldor District Office or www.baldor.com for the detailed dimension drawing for your specific catalog number.

Dimension Drawings

Washdown Inverter and Vector Motors



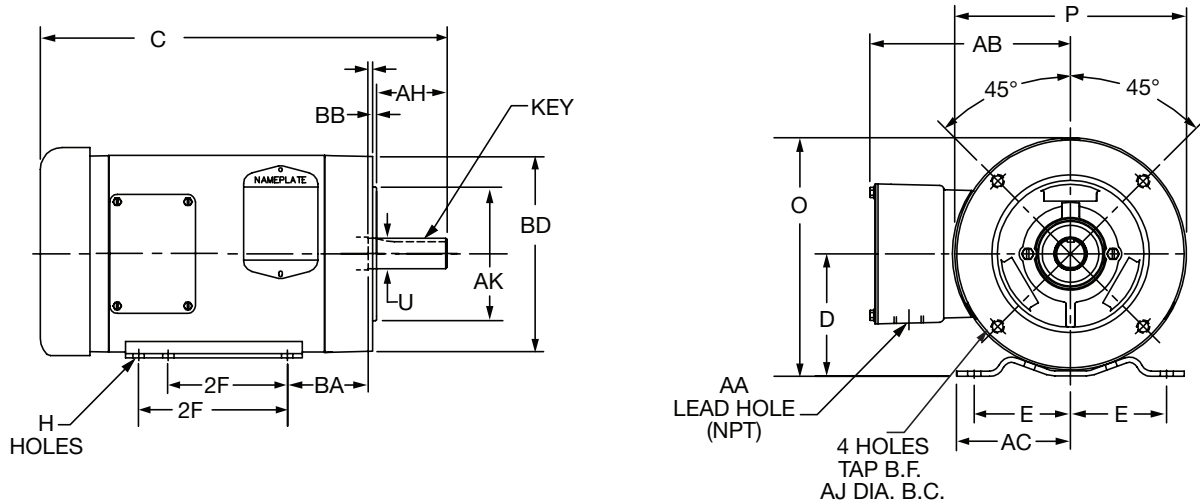
| NEMA Frame | Thru Shaft Encoder | D | E | 2F | H | AH | O | AB | BA | U | P | BD | AK | AJ | BF TAP | AA | BB |
|------------|--------------------|------|------|-------|------|------|-------|------|------|-------|-------|------|------|------|--------|------|------|
| 143TC | 2.78 | 3.50 | 2.75 | 4.00 | 0.34 | 2.12 | 6.81 | 5.73 | 2.75 | 0.875 | 6.63 | 6.51 | 4.50 | 5.88 | 3/8-16 | 0.50 | 0.12 |
| 145TC | | | | 5.00 | | | | | | | | | | | | | |
| 182TC | 2.78 | 4.50 | 3.75 | 4.50 | 0.41 | 2.62 | 8.44 | 6.87 | 3.50 | 1.125 | 7.88 | 8.86 | 8.50 | 7.25 | 1/2-13 | 0.75 | 0.25 |
| 184TC | | | | 5.50 | | | | | | | | | | | | | |
| 213TC | 2.78 | 5.25 | 4.25 | 5.50 | 0.41 | 3.12 | 10.03 | 8.05 | 4.25 | 1.375 | 9.56 | 9.04 | 8.50 | 7.25 | 1/2-13 | 0.75 | 0.25 |
| 215TC | | | | 7.00 | | | | | | | | | | | | | |
| 254TC | 1.79* | 6.25 | 5.00 | 8.25 | 0.53 | 3.75 | 12.00 | 9.72 | 4.75 | 1.625 | 11.69 | 9.44 | 8.50 | 7.25 | 1/2-13 | 1.25 | 0.25 |
| 256TC | | | | 10.00 | | | | | | | | | | | | | |

NOTE: * 2.29 for Vector Motor.

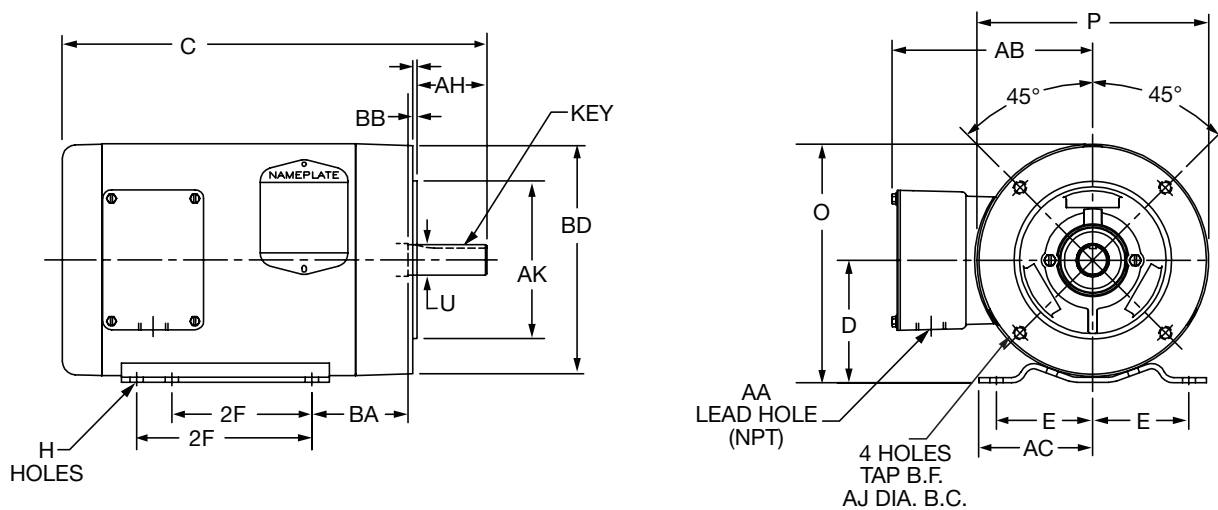
Dimension Drawings

Washdown Inverter – TEFC

TENV Enclosure



TEFC Enclosure

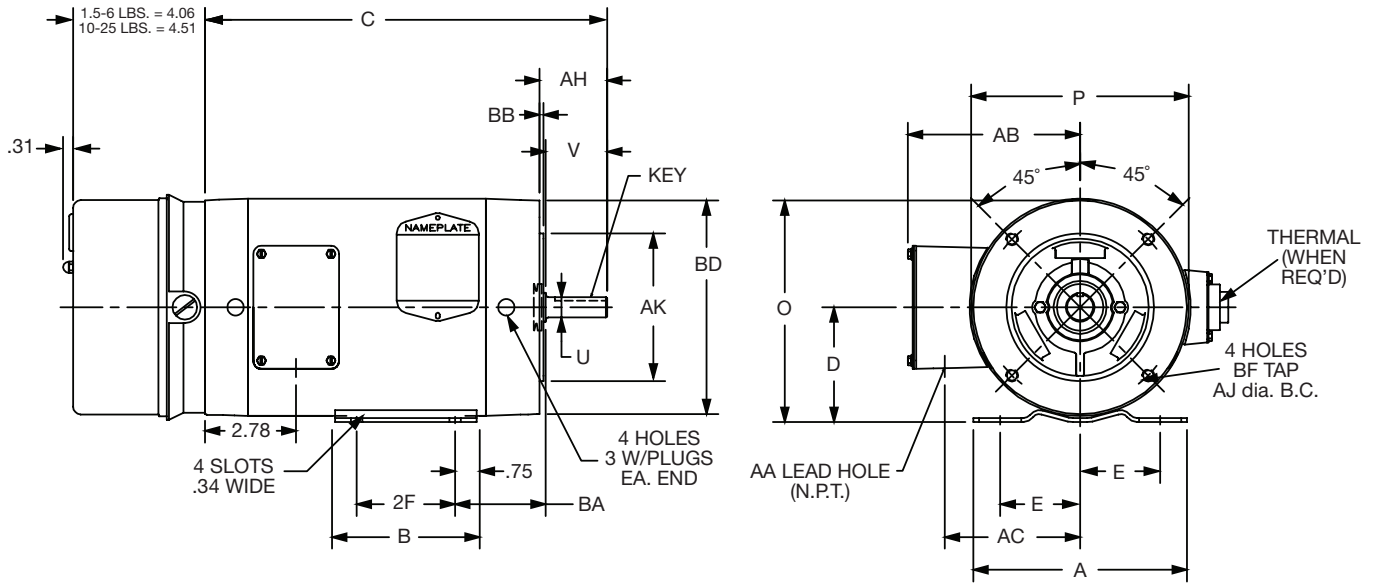


| NEMA Frame | D | E | 2F | H | AH | O | AB | BA | U | P | BD | AK | AJ | BF TAP | AA | BB |
|----------------|------|------|--------------|------|------|-------|------|------|-------|-------|------|------|------|--------|------|------|
| 56C | 3.50 | 2.44 | 3.00 | 0.34 | 2.06 | 6.81 | 5.73 | 2.75 | 0.625 | 6.62 | 6.50 | 4.50 | 5.88 | 3/8-16 | 0.50 | 0.12 |
| 143TC 145TC | 3.50 | 2.75 | 4.00 5.00 | 0.38 | 2.12 | 6.81 | 5.73 | 2.75 | 0.875 | 6.62 | 6.50 | 4.50 | 5.88 | 3/8-16 | 0.50 | 0.12 |
| 182TC 184TC | 4.50 | 3.75 | 4.50 5.50 | 0.41 | 2.62 | 9.00 | 6.56 | 3.5 | 1.125 | 8.50 | 8.86 | 8.50 | 7.25 | 1/2-13 | 0.75 | 0.25 |
| 213TC 215TC | 5.25 | 4.25 | 5.50 7.00 | 0.41 | 3.12 | 10.03 | 7.46 | 4.25 | 1.375 | 10.18 | 9.04 | 8.50 | 7.25 | 1/2-13 | 0.75 | 0.25 |

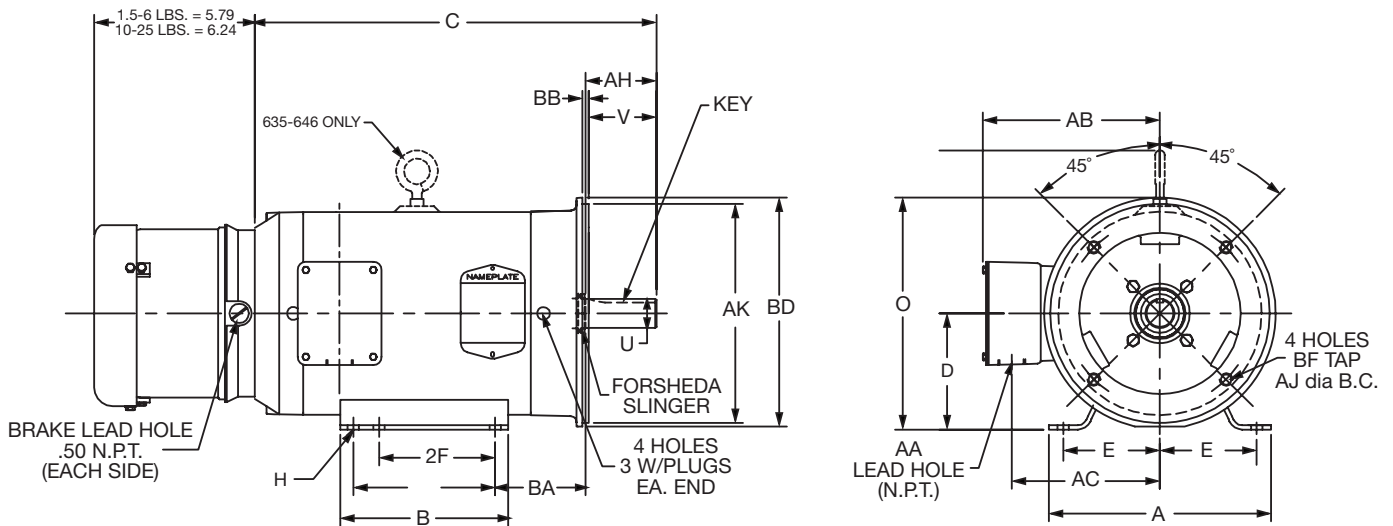
NOTE: Dimension for reference only. Contact a Baldor District Office or www.baldor.com for the detailed dimension drawing for your specific catalog number.

Dimension Drawings

Washdown Super-E – Brake Motor – TENV – C-Face with Base 56C – 143-145TC

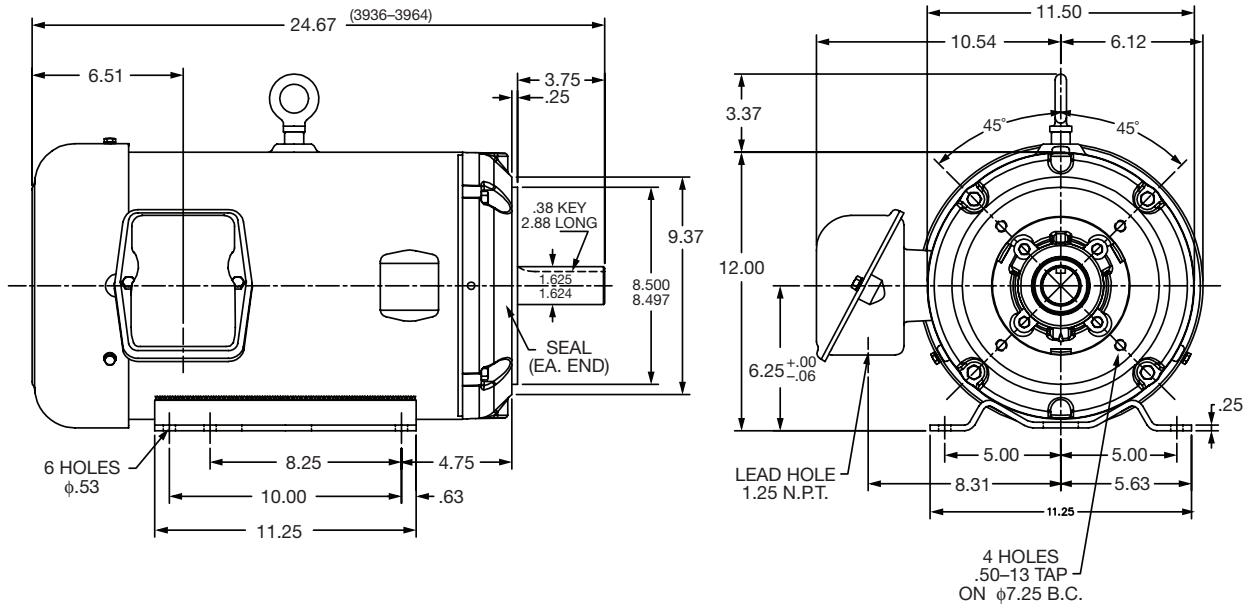


Washdown Super-E® – Brake Motor – TEFC – C-Face with Base 182-184TC – 254-256TC



Dimension Drawings

Stainless Steel Super-E - TEFC 254 - 256TC

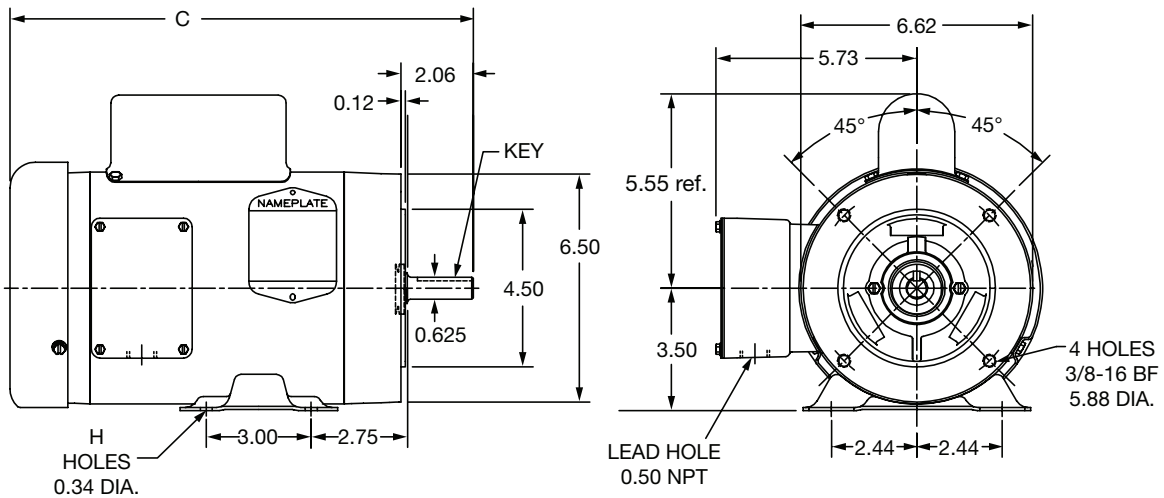


| NEMA Frame | A | B | D | E | 2F | H | N | O | P | U | V | AA | AB | AH | AJ | BF TAP | AK | BA | BB | BD |
|------------|-------|-------|------|------|-------|------|------|-------|-------|-------|------|------|------|------|------|--------|------|------|------|------|
| 56 | 6.50 | 4.50 | 3.50 | 2.44 | 3.00 | 0.34 | 2.44 | 6.81 | 6.62 | 0.625 | 1.88 | 0.50 | 5.22 | - | - | 3/8-16 | - | 2.75 | - | - |
| 56C | 6.50 | 4.50 | 3.50 | 2.44 | 3.00 | 0.34 | - | 6.81 | 6.62 | 0.625 | 1.88 | 0.50 | 5.22 | 2.06 | 5.88 | 3/8-16 | 4.50 | 2.75 | 0.12 | 6.50 |
| 143T | 6.50 | 5.94 | 3.50 | 2.75 | 4.00 | 0.34 | 2.50 | 6.81 | 6.62 | 0.875 | 2.25 | 0.50 | 5.22 | - | - | 3/8-16 | - | 2.25 | - | - |
| 143TC | 6.50 | 5.94 | 3.50 | 2.75 | 4.00 | 0.34 | - | 6.81 | 6.62 | 0.875 | 2.25 | 0.50 | 5.22 | 2.12 | 5.88 | 3/8-16 | 4.50 | 2.75 | 0.12 | 6.50 |
| 145T | 6.50 | 5.94 | 3.50 | 2.75 | 5.00 | 0.34 | 2.50 | 6.81 | 6.62 | 0.875 | 2.25 | 0.50 | 5.22 | - | - | 3/8-16 | - | 2.25 | - | - |
| 145TC | 6.50 | 5.94 | 3.50 | 2.75 | 5.00 | 0.34 | - | 6.81 | 6.62 | 0.875 | 2.25 | 0.50 | 5.22 | 2.12 | 5.88 | 3/8-16 | 4.50 | 2.75 | 0.12 | 6.50 |
| 182T | 8.63 | 6.50 | 4.50 | 3.75 | 4.50 | 0.41 | 3.56 | 8.44 | 7.88 | 1.125 | 2.75 | 0.75 | 5.97 | - | - | 1/2-13 | - | 2.75 | - | - |
| 182TC | 8.63 | 6.50 | 4.50 | 3.75 | 4.50 | 0.41 | - | 8.44 | 7.88 | 1.125 | 2.75 | 0.75 | 5.97 | 2.62 | 7.25 | 1/2-13 | 8.50 | 3.50 | 0.25 | 8.89 |
| 184T | 8.63 | 6.50 | 4.50 | 3.75 | 5.50 | 0.41 | 3.56 | 8.44 | 7.88 | 1.125 | 2.75 | 0.75 | 5.97 | - | - | 1/2-13 | - | 2.75 | - | - |
| 184TC | 8.63 | 6.50 | 4.50 | 3.75 | 5.50 | 0.41 | - | 8.44 | 7.88 | 1.125 | 2.75 | 0.75 | 5.97 | 2.62 | 7.25 | 1/2-13 | 8.50 | 3.50 | 0.25 | 8.89 |
| 213T | 9.50 | 8.00 | 5.25 | 4.25 | 5.50 | 0.41 | 3.88 | 10.03 | 9.56 | 1.375 | 3.37 | 0.75 | 7.46 | - | - | 1/2-13 | - | 3.50 | - | - |
| 213TC | 9.50 | 8.00 | 5.25 | 4.25 | 5.50 | 0.41 | - | 10.03 | 9.56 | 1.375 | 3.37 | 0.75 | 7.46 | 3.12 | 7.25 | 1/2-13 | 8.50 | 4.50 | 0.25 | 9.04 |
| 215T | 9.50 | 8.00 | 5.25 | 4.25 | 7.00 | 0.41 | 3.88 | 10.03 | 9.56 | 1.375 | 3.37 | 0.75 | 7.46 | - | - | 1/2-13 | - | 3.50 | - | - |
| 215TC | 9.50 | 8.00 | 5.25 | 4.25 | 7.00 | 0.41 | - | 10.03 | 9.56 | 1.375 | 3.37 | 0.75 | 7.46 | 3.12 | 7.25 | 1/2-13 | 8.50 | 4.50 | 0.25 | 9.04 |
| 254TC | 11.25 | 9.50 | 6.25 | 5.00 | 8.25 | 0.53 | - | 12.00 | 11.50 | 1.625 | 4.00 | 1.25 | 8.99 | 3.75 | 7.25 | 1/2-13 | 8.50 | 4.75 | 0.25 | 9.44 |
| 256TC | 11.25 | 11.25 | 6.25 | 5.00 | 10.00 | 0.53 | - | 12.00 | 11.50 | 1.625 | 4.00 | 1.25 | 8.99 | 3.75 | 7.25 | 1/2-13 | 8.50 | 4.75 | 0.25 | 9.44 |

NOTE: Dimension for reference only. Contact a Baldor District Office or www.baldor.com for the detailed dimension drawing for your specific catalog number.

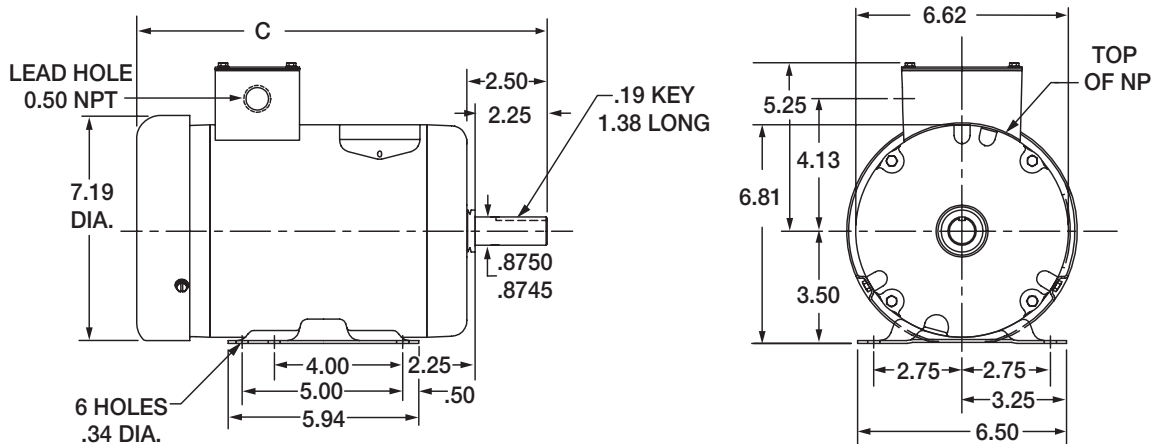
Dimension Drawings

Washdown Single Phase - 56C TEFC



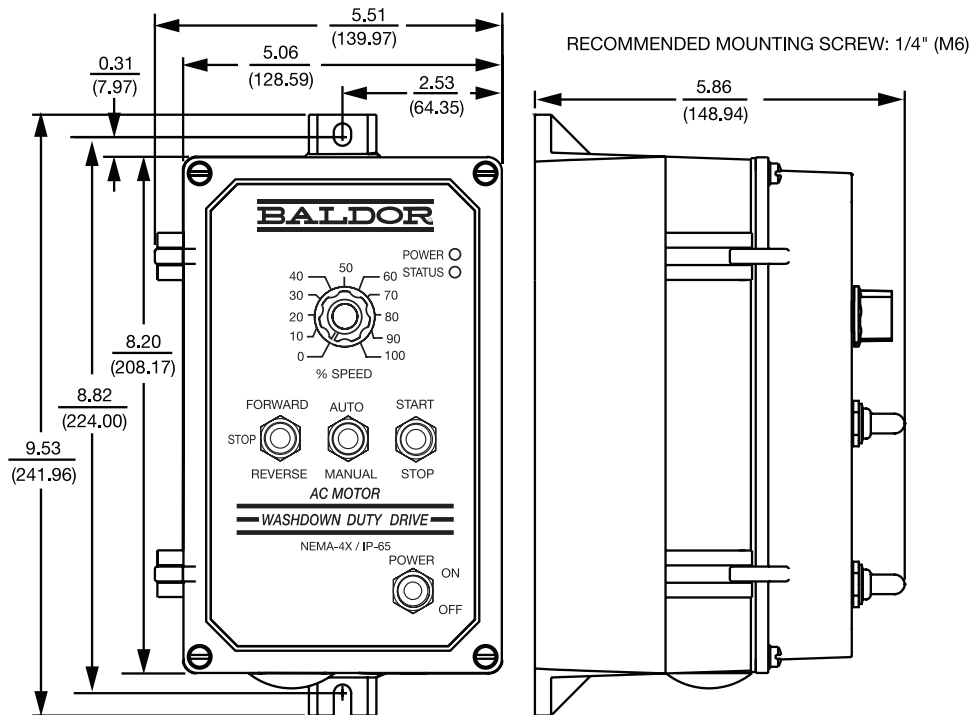
Catalog No. starting with "C" = C-face with base.
Catalog No. starting with "V" = C-face, no base.

Washdown Feather Picker

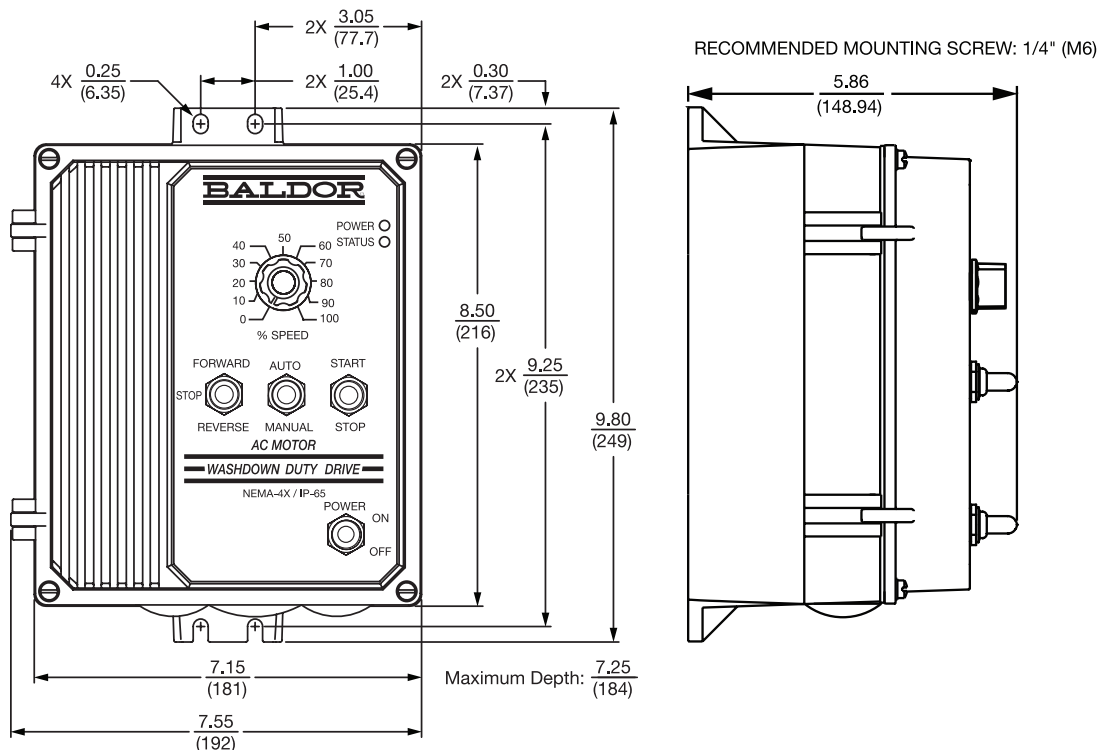


NOTE: Dimension for reference only. Contact a Baldor District Office or www.baldor.com for the detailed dimension drawing for your specific catalog number.

Dimension Drawings Series 5 Micro Inverters



SHOWN WITH OPTIONAL AUTO/MANUAL AND FORWARD-STOP-REVERSE



NOTE: Dimension for reference only. Contact a Baldor District Office or www.baldor.com for the detailed dimension drawing for your specific catalog number.

Dimension Drawings

Washdown DC Motors NEMA 56C through 1810ATC

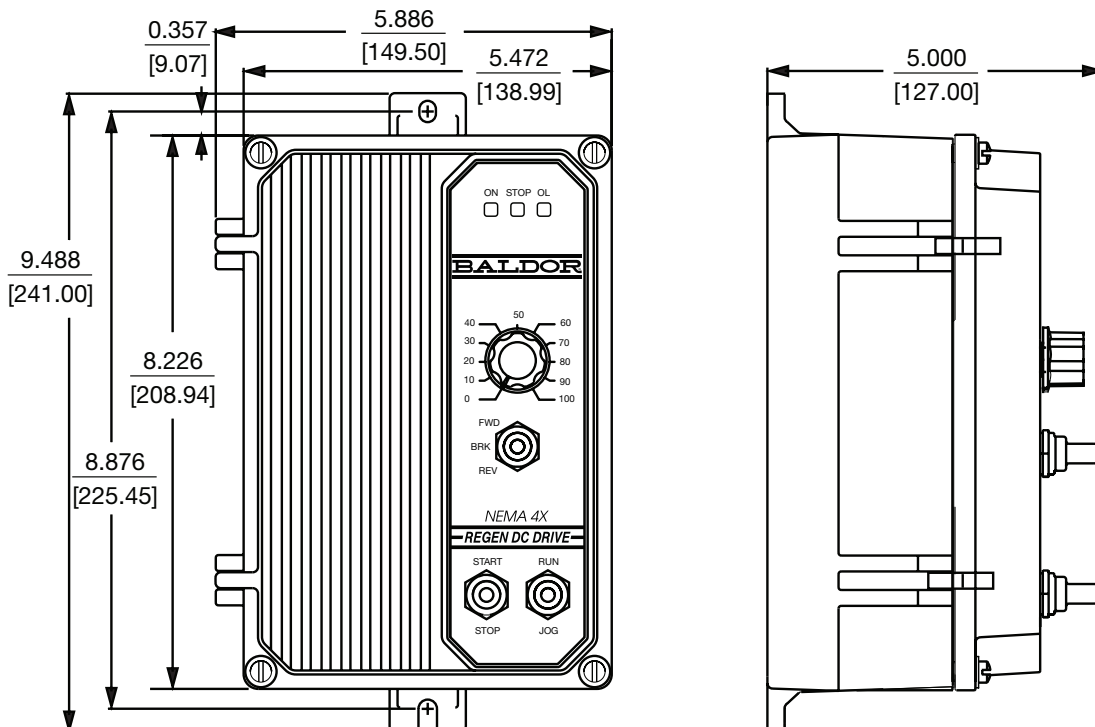
| DC Motor Dim. | | | Tach* Hub | Foot Mounting | | | | | Pulley Shaft Dim. | | | | Frame | | | | |
|---------------|-------|------------|--------------|---------------|------|--------------------------|-------|---------------|-------------------|------|------|------|-------|-------|------|-------|------|
| No. | Encl. | NEMA Frame | | BA | E | 2F | G | H | U | V | KEY | AH | A | B | D | O | P |
| #1 | TENV | 56C | 1.16 | 2.75 | 2.44 | 3.00 | 0.18 | 0.34 | 0.625 | 1.87 | 0.19 | 2.06 | 6.50 | 4.50 | 3.50 | 5.80 | 4.68 |
| | TEFC | 56C | 0.80 | 2.75 | 2.44 | 3.00 or 4.00 | 0.25 | 0.34 Slot-(6) | 0.625 | 1.87 | 0.19 | 2.06 | 6.75 | 5.50 | 3.50 | 6.34 | 5.69 |
| #2 | TEFC | 143TC | 0.80 | 2.75 | 2.75 | 4.00 or 5.00 | 0.125 | 0.38-(6) | 0.875 | 2.25 | 0.19 | 2.12 | 6.50 | 5.94 | 3.50 | 6.81 | 6.63 |
| | TEFC | 145TC | 0.80 | 2.75 | 2.75 | 4.00 or 5.00 | 0.125 | 0.38-(6) | 0.875 | 2.25 | 0.19 | 2.12 | 6.50 | 5.94 | 3.50 | 6.81 | 6.63 |
| #3 | TEFC | 184TC | 0.80 | 2.75 | 3.75 | 4.50 or 5.50 | 0.15 | 0.41-(6) | 1.125 | 2.75 | 0.25 | 2.62 | 8.63 | 6.50 | 4.50 | 10.38 | 7.88 |
| | TEFC | 1810ATC | 0.80 | 2.75 | 3.75 | 4.50 or 5.50 or 11.00 | 0.15 | 0.41-(12) | 1.125 | 2.75 | 0.25 | 2.62 | 8.63 | 13.00 | 4.50 | 10.38 | 7.88 |

NOTE: * Tach adaptability only on white Washdown motors.

| DC Motor Dim. | | | Conduit Box | | | | | | | | |
|---------------|-------|------------|-------------|------|------|------|------|------|------|------------|------|
| No. | Encl. | NEMA Frame | AA | AB | AC | AJ | AK | BB | BD | BF | FP |
| #1 | TENV | 56C | 0.50 | 4.46 | 3.47 | 5.88 | 4.50 | 0.12 | 6.50 | 0.38-16(4) | — |
| #2 | TEFC | 56C | 0.50 | 4.00 | 3.00 | 5.88 | 4.50 | 0.12 | 6.50 | 0.38-16(4) | 6.20 |
| | TEFC | 143TC | 0.50 | 4.25 | 3.38 | 5.88 | 4.50 | 0.12 | 6.50 | 0.38-16(4) | 7.01 |
| | TEFC | 145TC | 0.50 | 4.25 | 3.38 | 5.88 | 4.50 | 0.12 | 6.50 | 0.38-16(4) | 7.01 |
| #3 | TEFC | 184TC | 0.50 | 5.88 | 4.75 | 7.25 | 8.50 | 0.25 | 8.87 | 0.50-13(4) | 8.49 |
| | TEFC | 1810ATC | 0.50 | 5.88 | 4.75 | 7.25 | 8.50 | 0.25 | 8.87 | 0.50-13(4) | 8.49 |

NOTE: Dimension for reference only. Contact a Baldor District Office or www.baldor.com for the detailed dimension drawing for your specific catalog number.

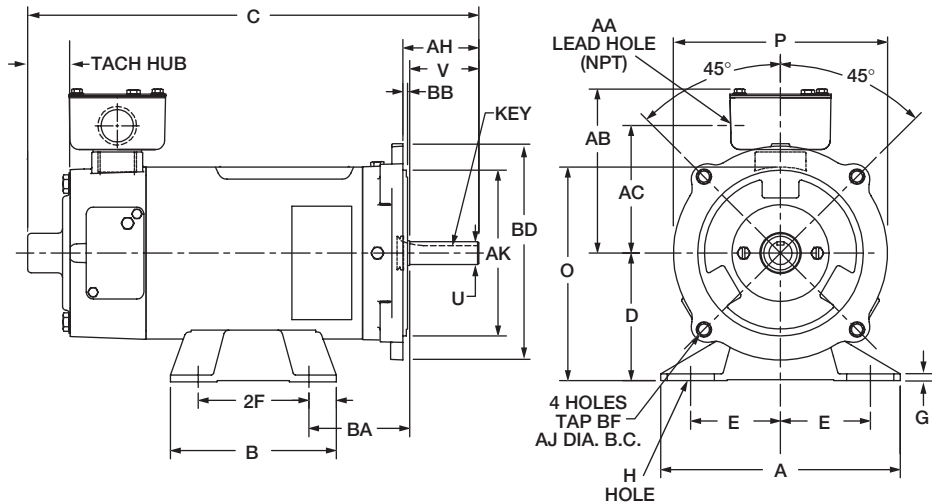
NEMA 4X Washdown Duty DC SCR Controls



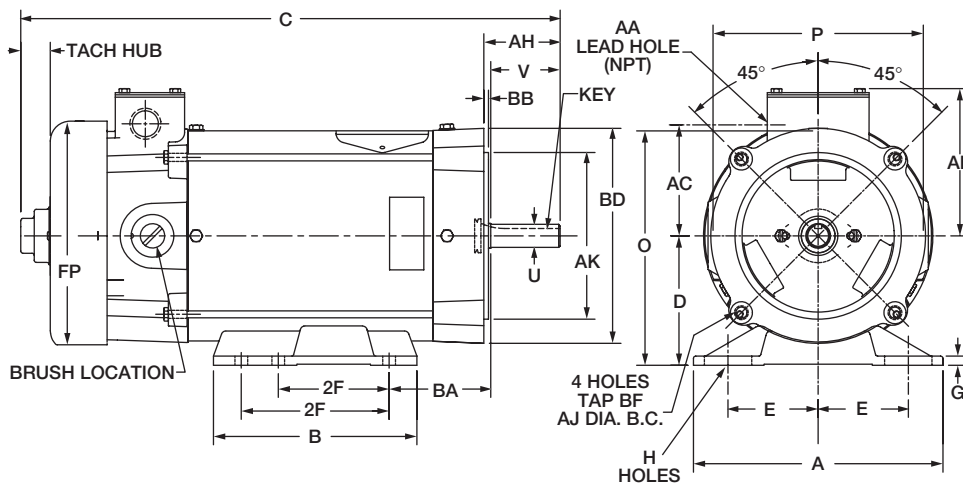
Dimension Drawings

Washdown DC Motors NEMA 56C through 1810ATC

TENV 56C

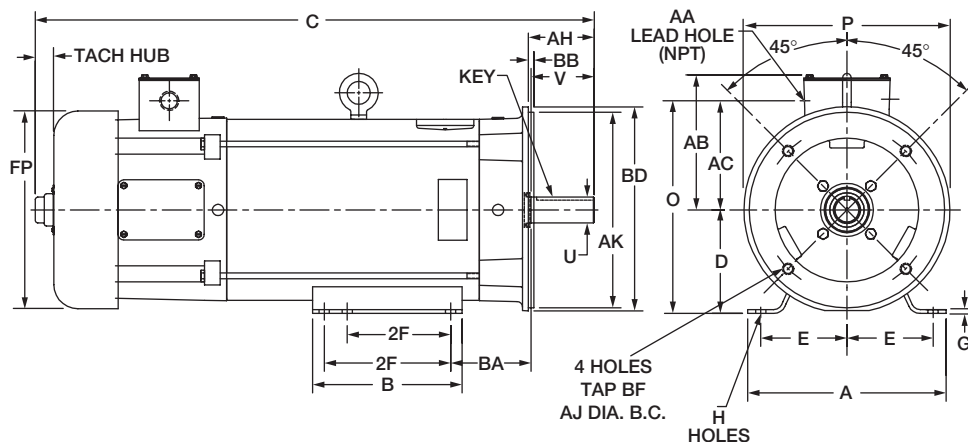


TEFC 56C, 143-5TC



Paint free motors do not have tach adapter and hub extension on fan cover.

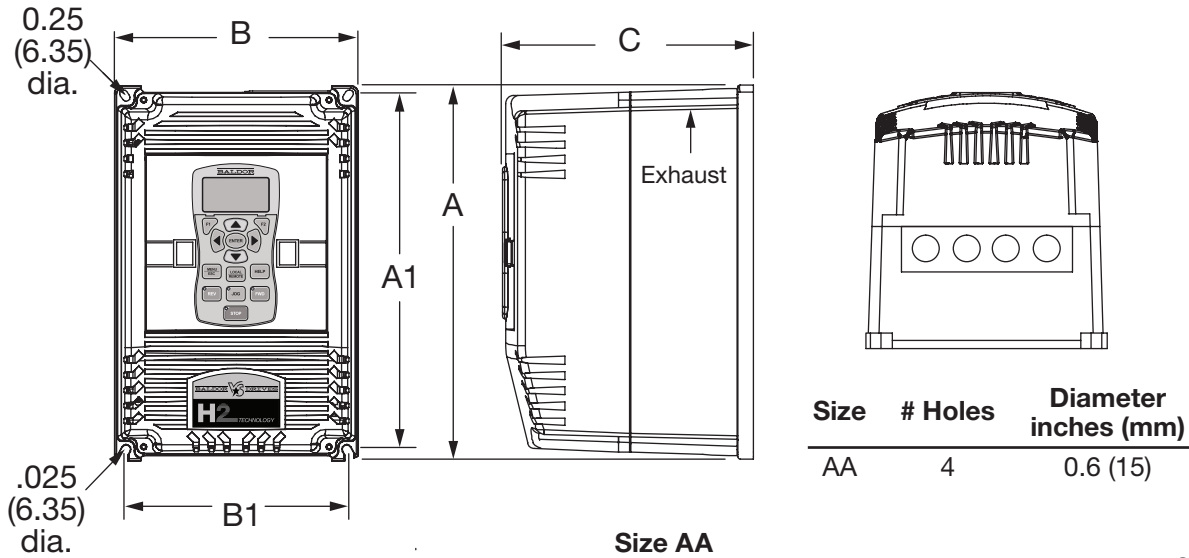
TEFC 184TC, 1810 ATC



NOTE: Dimension drawing charts on next page.

Dimension Drawings

VS2SP Inverter/Encoderless and VS1GV Closed Loop Vector Washdown Controls



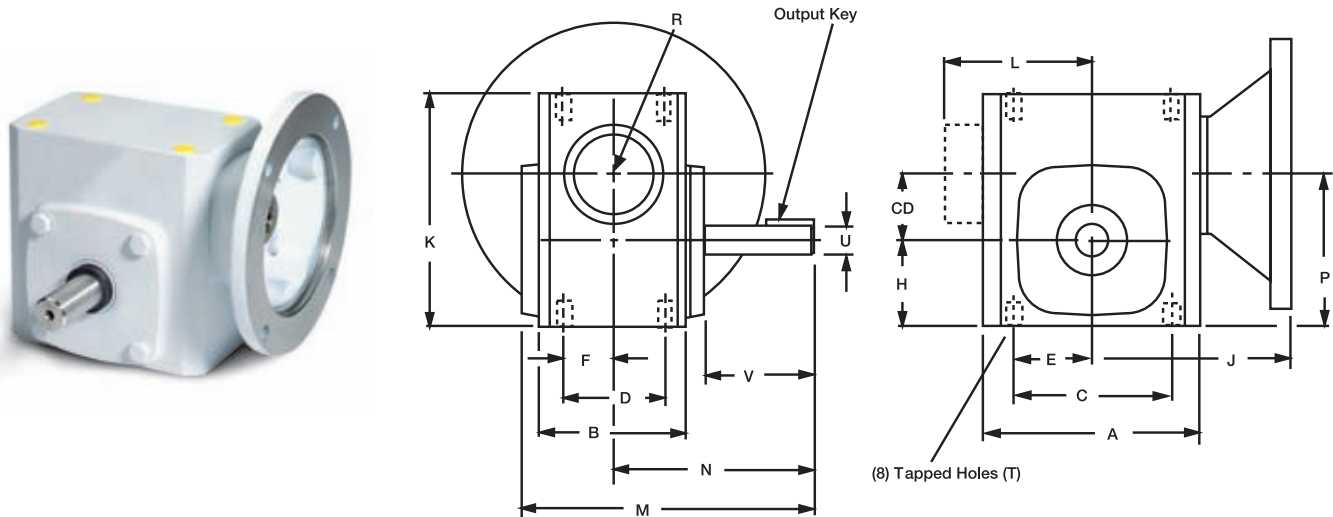
OM2000A01

| Size | Dimensions - inches (mm) | | | | | Aprx. Shpg. Weight |
|------|--------------------------|-------------|-------------|-------------|------------|--------------------|
| | Outside | | | Mounting | | |
| | Height (A) | Width (B) | Depth (C) | Height (A1) | Width (B1) | |
| AA | 12.27 (311) | 7.97 (202) | 8.21 (208) | 11.75 (298) | 7.38 (187) | 20 (9.1) |
| B | 18.00 (457) | 9.10 (231) | 9.75 (248) | 17.25 (438) | 7.00 (178) | 30 (13.6) |
| C | 22.00 (559) | 9.10 (231) | 9.75 (248) | 21.25 (540) | 7.00 (178) | 60 (27.2) |
| D | 28.00 (711) | 11.50 (292) | 13.00 (330) | 27.25 (692) | 9.50 (241) | 120 (54.4) |

NOTE: Dimension for reference only. Contact a Baldor District Office or www.baldor.com for the detailed dimension drawing for your specific catalog number.

Dimension Drawings

Washdown Right Angle, Quill Type Gear Reducer



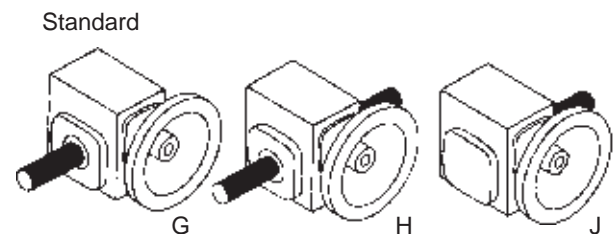
| Size | C.D. | A | B | C | D | E | F | H | J | | | K | L Fan Guard | M | N | P | T | |
|------|------|------|------|------|------|------|------|------|------|--------------|-------|------|-------------------|-------|------|------|-------------|-------|
| | | | | | | | | | 42CZ | 56C 140TC | 180TC | | | | | | Tap Size | Depth |
| 913 | 1.33 | 4.25 | 2.88 | 3.25 | 2.00 | 1.63 | 1.00 | 1.72 | — | 3.94 | — | 4.65 | — | 6.03 | 4.00 | 3.05 | 0.312-18 | 0.62 |
| 915 | 1.54 | 5.13 | 3.69 | 4.19 | 2.75 | 2.10 | 1.38 | 1.91 | — | 4.50 | — | 5.38 | — | 6.72 | 4.31 | 3.45 | 0.312-18 | 0.62 |
| 918 | 1.75 | 5.56 | 3.69 | 4.19 | 2.75 | 2.09 | 1.38 | 2.06 | — | 4.69 | — | 5.75 | — | 6.78 | 4.31 | 3.81 | 0.312-18 | 0.62 |
| 921 | 2.06 | 6.06 | 3.81 | 5.00 | 2.88 | 2.50 | 1.44 | 2.28 | — | 5.07 | — | 6.38 | — | 7.22 | 4.69 | 4.34 | 0.375-16 | 0.75 |
| 924 | 2.38 | 6.44 | 4.06 | 5.00 | 2.88 | 2.50 | 1.44 | 2.50 | — | 5.25 | — | 6.94 | — | 7.75 | 5.09 | 4.88 | 0.375-16 | 0.75 |
| 926 | 2.62 | 7.38 | 4.44 | 6.38 | 3.38 | 3.19 | 1.69 | 2.94 | — | 5.75 | 6.19 | 8.00 | — | 8.50 | 5.62 | 5.56 | 0.375-16 | 0.75 |
| 932 | 3.25 | 8.92 | 5.88 | 7.50 | 4.00 | 3.75 | 2.00 | 3.50 | — | 6.56 | 7.00 | 9.38 | 6.65 | 10.69 | 7.06 | 6.75 | 0.437-14 | 0.88 |

| Size | Output Shaft | | W-Key | | Motor Size Available Per Size Any Ratio | Approximate Weight Lbs. | Approximate Oil Capacity oz. |
|------|-----------------------|------|-------|-------|--|-------------------------------|------------------------------------|
| | U +0.000 -0.001 | V | Sq. | Lgth. | | | |
| 913 | 0.625 | 2.19 | 0.188 | 1.000 | B5, B7 | 13 | 6.5 |
| 915 | 0.750 | 2.06 | 0.188 | 1.000 | B5 | 21 | 10.0 |
| 918 | 0.875 | 2.06 | 0.188 | 1.000 | B5, B7 | 28 | 14.0 |
| 921 | 1.000 | 2.38 | 0.250 | 1.250 | B5, B7 | 34 | 17.5 |
| 924 | 1.125 | 2.66 | 0.250 | 1.250 | B5, B7, B9 | 40 | 26.5 |
| 926 | 1.125 | 2.78 | 0.250 | 2.000 | B5, B7, B9 | 54 | 32.0 |
| 932 | 1.375 | 3.44 | 0.313 | 2.500 | B5, B7, B9 | 87 | 67.0 |

Motor Information

| Worm Bore Size Design. | NEMA Design | Bore +0.002 -0.000 | Key Way | R |
|---------------------------------|----------------|--------------------------|---------------|------|
| B4 | 42CZ * | 0.500 | 0.125 x 0.063 | 2.16 |
| B5 | 56C | 0.625 | 0.187 x 0.093 | 3.31 |
| B7 | 140TC/180C | 0.875 | 0.187 x 0.093 | 3.31 |
| B9 | 180TC/210C | 1.125 | 0.250 x 0.125 | 4.63 |
| B11 | 210TC/250UC | 1.375 | 0.312 x 0.156 | 4.63 |

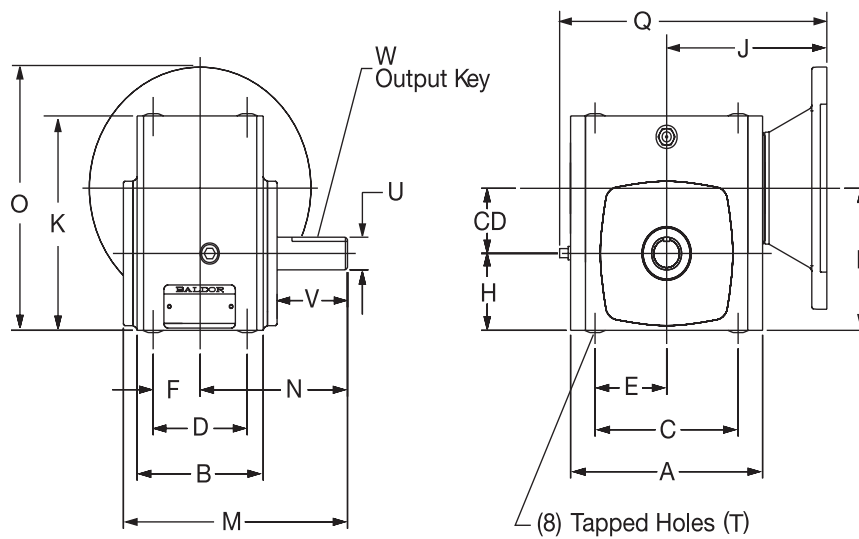
Assembly Types



NOTE: * Has Keyway, Standard 42C has Flat
Dimension for reference only. Contact a Baldor District Office or www.baldor.com for the detailed dimension drawing for your specific catalog number.

Dimension Drawings

Stainless Steel Solid Shaft Gear Reducer

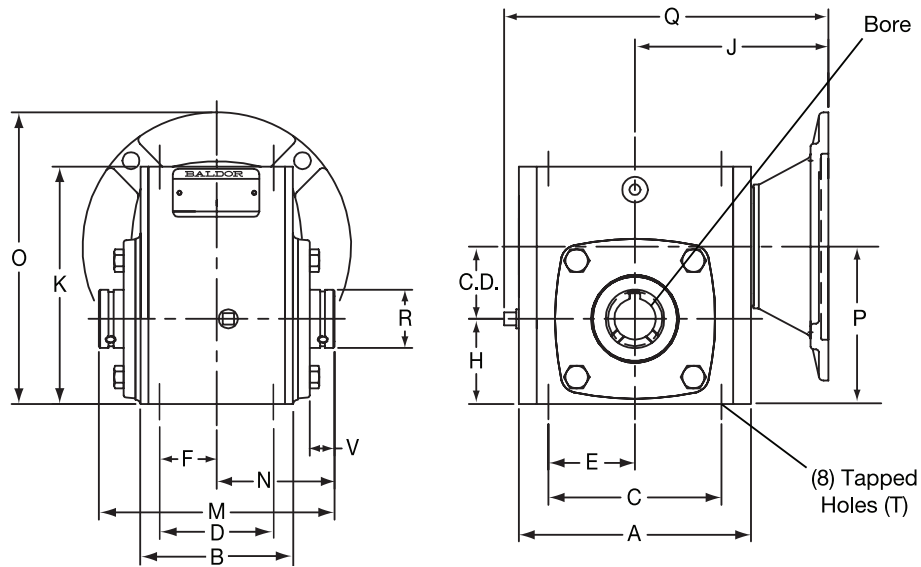


| Size | C.D. | A | B | C | D | E | F | H | J | | K | M | N | O | | P |
|------|------|------|------|------|------|------|------|------|--------------|-------|------|------|------|--------------|-------|------|
| | | | | | | | | | 56C 140TC | 180TC | | | | 56C 140TC | 180TC | |
| 918 | 1.75 | 5.62 | 3.69 | 4.19 | 2.75 | 2.09 | 1.38 | 2.06 | 4.69 | — | 5.75 | 6.78 | 4.31 | 7.06 | — | 3.81 |
| 921 | 2.06 | 6.13 | 3.81 | 5.00 | 2.88 | 2.50 | 1.44 | 2.28 | 5.07 | — | 6.38 | 7.22 | 4.69 | 7.60 | — | 4.34 |
| 926 | 2.62 | 7.45 | 4.44 | 6.38 | 3.38 | 3.19 | 1.69 | 2.94 | 5.75 | 6.19 | 8.00 | 8.50 | 5.62 | 8.81 | 10.07 | 5.56 |

| Size | Q | | T | | Output Shaft | | W-Key | | Motor Size Available Per Size Any Ratio | Approximate Weight Lbs. | Approximate Oil Capacity oz. |
|------|--------------|-------|-------------|-------|-----------------------|------|-------|-------|--|-------------------------------|------------------------------------|
| | 56C 140TC | 180TC | Tap Size | Depth | U +0.000 -0.001 | V | Sq. | Lgth. | | | |
| 918 | 7.85 | — | 0.312-18 | 0.59 | 0.875 | 2.06 | 0.188 | 1.00 | B5, B7 | 30 | 14.0 |
| 921 | 8.63 | — | 0.375-16 | 0.69 | 1.000 | 2.38 | 0.250 | 1.25 | B5, B7 | 38 | 17.5 |
| 926 | 9.90 | 10.34 | 0.375-16 | 0.69 | 1.125 | 2.78 | 0.250 | 2.00 | B5, B7, B9 | 56 | 32.0 |

Dimension Drawings

Stainless Steel Hollow Bore Gear Reducer

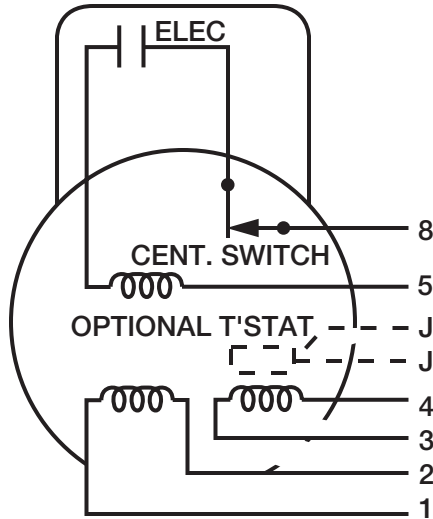


| Size | C.D. | A | B | C | D | E | F | H | J | | K | M | N | O | | P |
|------|------|------|------|------|------|------|------|------|--------------|-------|------|------|------|--------------|-------|------|
| | | | | | | | | | 56C 140TC | 180TC | | | | 56C 140TC | 180TC | |
| 918 | 1.75 | 5.62 | 3.69 | 4.19 | 2.75 | 2.09 | 1.38 | 2.06 | 4.69 | — | 5.75 | 5.70 | 2.85 | 7.06 | — | 3.81 |
| 921 | 2.06 | 6.13 | 3.83 | 5.00 | 2.88 | 2.50 | 1.44 | 2.28 | 5.06 | — | 6.38 | 6.44 | 3.22 | 7.60 | — | 4.34 |
| 926 | 2.62 | 7.45 | 4.44 | 6.38 | 3.38 | 3.19 | 1.69 | 2.94 | 5.75 | 6.19 | 8.00 | 6.88 | 3.44 | 8.81 | 10.07 | 5.56 |

| Size | Q | | T | | Output Shaft | | | W-Key | | Motor Size Available Per Size Any Ratio | Approximate Weight Lbs. | Approximate Oil Capacity oz. | |
|------|--------------|-------|----------|-------|--------------|-------|-------|-------|-------|--|-------------------------------|------------------------------------|--------|
| | 56C 140TC | 180TC | Tap Size | Depth | R | Bore | | V | Sq. | | | | Length |
| | | | | | | Std. | Max. | | | | | | |
| 918 | 7.85 | — | 0.312-18 | 0.59 | 1.42 | 1.000 | 1.125 | .60 | 0.250 | 1.625 | B5, B7 | 31 | 14.0 |
| 921 | 8.63 | — | 0.375-16 | 0.69 | 1.73 | 1.250 | 1.250 | .63 | 0.250 | 1.625 | B5, B7 | 36 | 17.5 |
| 926 | 9.90 | 10.34 | 0.375-16 | 0.69 | 2.56 | 1.438 | 2.000 | .63 | 0.375 | 1.500 | B5, B7, B9 | 59 | 32.0 |

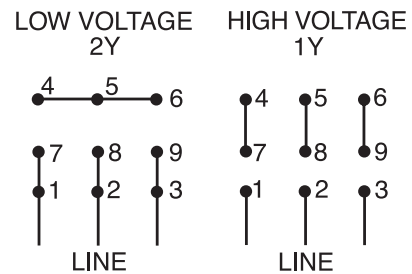
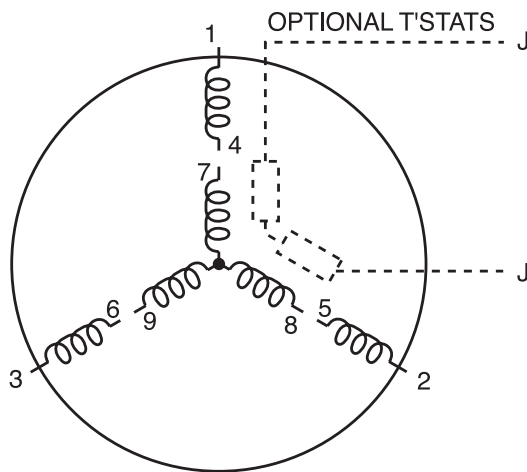
Connection Diagrams - AC

CD0001



| VOLT | ↻ | LINE A | LINE B | JOIN |
|------|-----|--------|--------|-------|
| HIGH | STD | 1 | 4,5 | 2,3,8 |
| HIGH | OPP | 1 | 4,8 | 2,3,5 |
| LOW | STD | 1,3,8 | 2,4,8 | - |
| LOW | OPP | 1,3,8 | 2,4,8 | - |

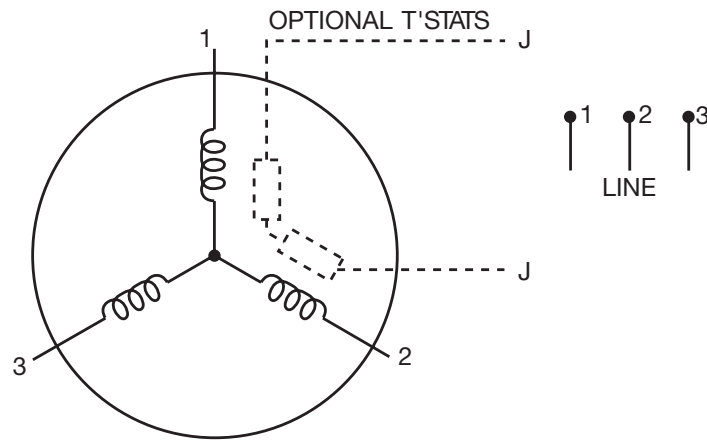
CD0005



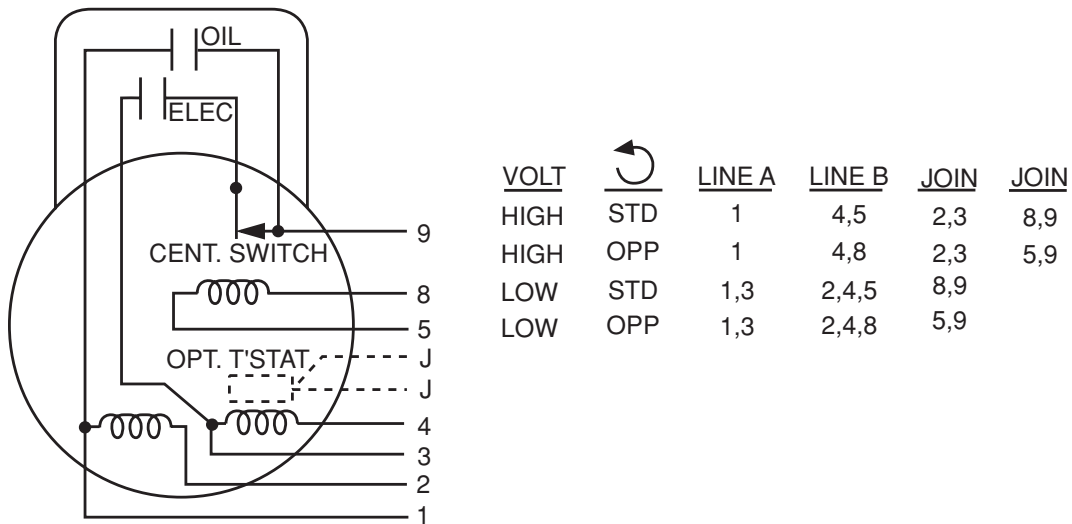
NOTE: Standard rotation is CCW facing end opposite drive extension.

Connection Diagrams – AC

CD0006



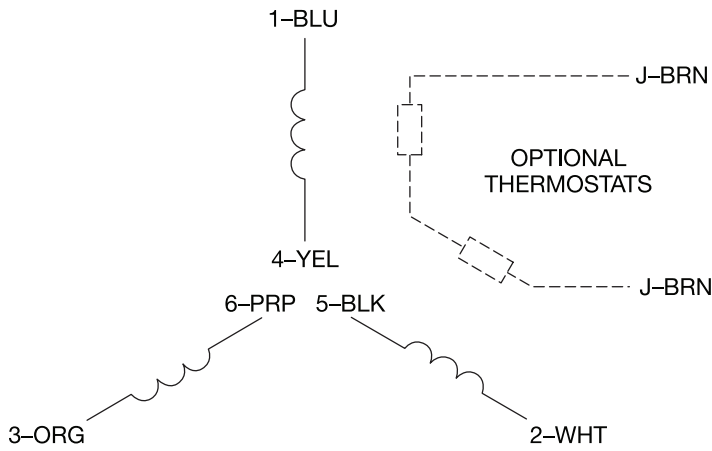
CD0016A01



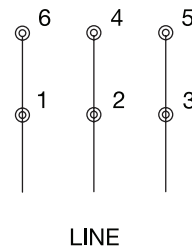
NOTE: Standard rotation is CCW facing end opposite drive extension.

Connection Diagrams – AC

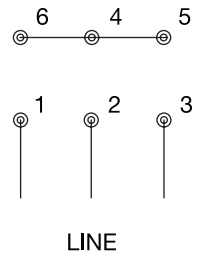
CD0022



LOW VOLTAGE
(1D)

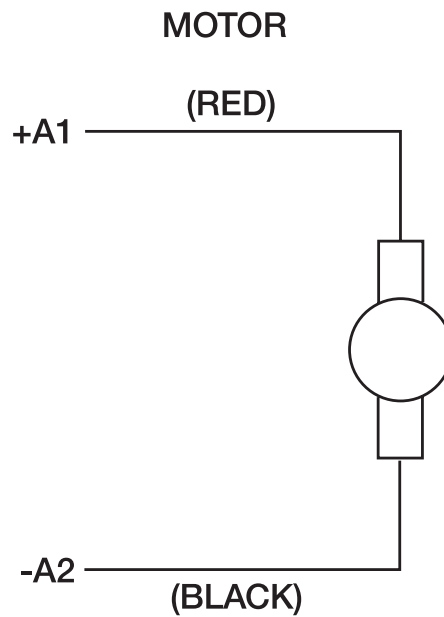


HIGH VOLTAGE
(1Y)



Connection Diagrams – DC

CD0194



NOTE: Standard rotation is CCW facing end opposite drive extension.

Customer Preference

2007 marked the fourth consecutive year that Baldor washdown products have won the “*Readers Choice Awards*” from *Food Processing* magazine. In 2007, Baldor•Reliance motors received 65% of the votes in that category (10 times more than the next closest competitor). In the Power Transmission category, Baldor•Dodge•Reliance received 25% of the votes (5 times more than next closest competitor).

One of the key items that surfaced in the 2007 survey was the importance of customer service as a decision factor. Customer service is a key component in Baldor’s *Value Formula*.



For more information about our products and where to buy them,
please visit our website at www.baldor.com

UNITED STATES

ARIZONA

PHOENIX
4211 S 43RD PLACE
PHOENIX, AZ 85040
PHONE: 602-470-0407
FAX: 602-470-0464

ARKANSAS

CLARKSVILLE
1001 COLLEGE AVE.
CLARKSVILLE, AR 72830
PHONE: 479-754-9108
FAX: 479-754-9205

CALIFORNIA

LOS ANGELES
6480 FLOTTILLA
COMMERCCE, CA 90040
PHONE: 323-724-6771
FAX: 323-721-5859

HAYWARD
21056 FORBES STREET
HAYWARD, CA 94545
PHONE: 510-785-9900
FAX: 510-785-9910

COLORADO

DENVER
3855 FOREST STREET
DENVER, CO 80207
PHONE: 303-623-0127
FAX: 303-595-3772

9980 PARK MEADOWS DRIVE
SUITE 214
LOWE TREE, CO 80124-6739
PHONE: 303-339-9629
FAX: 303-339-9633

CONNECTICUT

WALLINGFORD
65 SOUTH TURNPIKE ROAD
WALLINGFORD, CT 06492
PHONE: 203-269-1354
FAX: 203-269-5485

FLORIDA

**TAMPA/PUERTO RICO/
VIRGIN ISLANDS**
3906 EAST 11TH AVENUE
TAMPA, FL 33605
PHONE: 813-248-5078
FAX: 813-247-2984

ATLANTA
62 TECHNOLOGY DR.
ALPHARETTA, GA 30005
PHONE: 770-772-7000
FAX: 770-772-7200

5490 MCGINNIS FERRY PLACE
SUITE 133
ALPHARETTA, GA 30005
PHONE: 770-752-4254
FAX: 770-752-4257

ILLINOIS

CHICAGO
4 SAMMONS COURT
BOLINGBROOK, IL 60440
PHONE: 630-296-1400
FAX: 630-226-9420

INDIANA

COLUMBUS
3300 TENTH ST
COLUMBUS, IN 47201
PHONE: 812-378-2556
FAX: 812-378-2555

INDIANAPOLIS

5525 W. MINNESOTA STREET
INDIANAPOLIS, IN 46241
PHONE: 317-246-5100
FAX: 317-246-5110

IOWA

DES MOINES
1800 DIXON STREET, SUITE C
DES MOINES, IA 50316
PHONE: 515-263-6929
FAX: 515-263-6515

KANSAS

5030 BOB BILLINGS PKWY STE B
LAWRENCE, KS 66049
PHONE: 785-749-4339
FAX: 785-749-4217

MARYLAND

BALTIMORE
6650 SANTA BARBARA RD.
SUITE 22-24
ELK RIDGE, MD 21075
PHONE: 410-579-2135
FAX: 410-579-2677

MASSACHUSETTS

BOSTON
6 PULLMAN STREET
WORCESTER, MA 01606
PHONE: 508-854-0708
FAX: 508-854-0291

MICHIGAN

DETROIT
33782 STERLING PONDS BLVD.
STERLING HEIGHTS, MI 48312
PHONE: 586-978-9800
FAX: 586-978-9969

GRAND RAPIDS

668 THREE MILE ROAD NW
GRAND RAPIDS, MI 49504
PHONE: 616-785-1784
FAX: 616-785-1788

MINNESOTA

MINNEAPOLIS
21080 134TH AVE. NORTH
ROGERS, MN 55374
PHONE: 763-428-3633
FAX: 763-428-4551

MISSOURI

ST LOUIS
422 INDUSTRIAL DRIVE
MARYLAND HEIGHTS, MO 63043
PHONE: 314-298-1800
FAX: 314-298-7660

KANSAS CITY

1501 BEDFORD AVENUE
NORTH KANSAS CITY, MO 64116
PHONE: 816-587-0272
FAX: 816-587-3735

NEW YORK

AUBURN
ONE ELLIS DRIVE
AUBURN, NY 13021
PHONE: 315-255-3403
FAX: 315-253-9923

NORTH CAROLINA

GREENSBORO
1220 ROTHERWOOD ROAD
GREENSBORO, NC 27406
PHONE: 336-272-6104
FAX: 336-273-6628

OHIO

CINCINNATI
2929 CRESCENTVILLE ROAD
WEST CHESTER, OH 45069
PHONE: 513-771-2600
FAX: 513-772-2219

CLEVELAND

8929 FREEWAY DRIVE
MACEDONIA, OH 44056
PHONE: 330-468-4777
FAX: 330-468-4778

29525 CHAGRIN BLVD SUITE 208

CLEVELAND, OH 44122
PHONE: 216-360-8296
FAX: 216-360-4172

OKLAHOMA

TULSA
2 EAST DAWES
BIRNEY, OK 74008
PHONE: 918-366-9320
FAX: 918-366-9338

OREGON

PORTLAND
20393 SW AVERY COURT
TUALATIN, OR 97062
PHONE: 503-691-9010
FAX: 503-691-9012

PENNSYLVANIA

KING OF PRUSSIA
1060 FIRST AVE STE 400
KING OF PRUSSIA, PA 19406
PHONE: 610-768-8018
FAX: 215-672-5759

PHILADELPHIA

1035 THOMAS BUSCH
MEMORIAL HIGHWAY
PENNSAUKEN, NJ 08110
PHONE: 856-661-1442
FAX: 856-663-6363

PITTSBURGH

159 PROMINENCE DRIVE
NEW KENSINGTON, PA 15068
PHONE: 724-889-0092
FAX: 724-889-0094

TENNESSEE

MEMPHIS
4000 WINCHESTER ROAD
MEMPHIS, TN 38118
PHONE: 901-365-2020
FAX: 901-365-3914

TEXAS

ADDISON
3939 BELT LINE ROAD #250
ADDISON, TX 75001
PHONE: 972-499-7746, 499-7747
FAX: 972-422-1505

DALLAS

3040 QUEBEC
DALLAS, TX 75247
PHONE: 214-634-7271
FAX: 214-634-8874

HOUSTON

4647 PINE TIMBERS
SUITE # 135
HOUSTON, TX 77041
PHONE: 713-895-7062
FAX: 713-690-4540

UTAH

SALT LAKE CITY
2230 SOUTH MAIN STREET
SALT LAKE CITY, UT 84115
PHONE: 801-832-0127
FAX: 801-832-8911

VIRGINIA

RICHMOND
6767 FOREST HILL AVE STE 305
RICHMOND, VA 23225
PHONE: 804-545-6848
FAX: 804-545-6840

WASHINGTON

KIRKLAND, WA
550 KIRKLAND WAY STE 205
KIRKLAND, WA 98033
PHONE: 425-952-5000
FAX: 775-255-8019

WISCONSIN

MILWAUKEE
2725 SOUTH 163RD STREET
NEW BERLIN, WI 53151
PHONE: 262-784-5940
FAX: 262-784-1215

WAUKESHA

N14 W12377 STONE RIDGE DRIVE
SUITE 270
WAUKESHA, WI 53188
PHONE: 262-347-2000
FAX: 262-433-0258

INTERNATIONAL SALES

FORT SMITH, AR
P.O. BOX 2400
FORT SMITH, AR 72902
PHONE: 479-646-4711
FAX: 479-646-5895

CANADA

EDMONTON, ALBERTA
4053-92 STREET
EDMONTON, ALBERTA T6E 6R8
PHONE: 780-434-4900
FAX: 780-438-2600

11428-168 STREET
EDMONTON, ALBERTA T5M 3T9
PHONE: 780-822-7865
FAX: 780-822-7878

MISSISSAUGA, ONTARIO
244 BRITANNIA ROAD EAST
MISSISSAUGA, ONTARIO L4Z 1S6
PHONE: 905-890-5110
FAX: 905-890-5540

OKVILLE, ONTARIO
2750 COLENTY ROAD
OKVILLE, ONTARIO L6H 6R1
PHONE: 905-829-3301
FAX: 905-829-3302

DORVAL, QUEBEC
95 RUE LINDSAY
DORVAL, QUEBEC H9P 2S6
PHONE: 514-422-8818
FAX: 514-422-8982

MONTREAL, QUEBEC
1844 WILLIAM STREET
MONTREAL, QUEBEC H3J 1R5
PHONE: 514-933-2711
FAX: 514-933-8639

**VANCOUVER,
BRITISH COLUMBIA**
1538 KEBET WAY
PORT COQUITLAM,
BRITISH COLUMBIA V3C 5M5
PHONE: 604-421-2822
FAX: 604-421-3113

WINNIPEG, MANITOBA
54 PRINCESS STREET
WINNIPEG, MANITOBA R3B 1K2
PHONE: 204-942-5205
FAX: 204-956-4251

AUSTRALIA

UNIT 3, 6 STANTON ROAD
SEVEN HILLS, NSW 2147, AUSTRALIA
PHONE: (61) (2) 9674 5455
FAX: (61) (2) 9674 2495

UNIT 8, 5 KELLETTS ROAD
ROWVILLE, VICTORIA, 3178 AUSTRALIA
PHONE: (61) (3) 9753 4355
FAX: (61) (3) 9753 4366

EL SALVADOR
RESIDENCIAL PINARES DE SUJZA
POL. 15 #44,
NVA. SAN SALVADOR, EL SALVADOR
PHONE: +503 2288-1519
FAX: +503 2288-1518

CHILE

LUIS THAYER OJEDA 166,
OF 402 - PROVIDENCIA
SANTIAGO, CHILE
PHONE: 56-2-290-0762
FAX: 56-2-816-9900

CHINA

5299 BEI SONG ROAD
SONGJIANG
201611 SHANGHAI, CHINA
PHONE: +86 21 5760 5335
FAX: +86 21 5760 5336

UNIT 905, 9TH FLOOR,
TOWER B WANDIA PLAZA
NO. 93 JIANGJU ROAD,
CHAOYANG DISTRICT
BEIJING, 100022, CHINA
PHONE: +86 (010) 58205516
FAX: +86 (010) 58204231

GERMANY

DIESELSTRASSE 22
D-85551 KIRCHHEIM
MUNICH, GERMANY
PHONE: +49 89 90 5090
FAX: +49 89 90 50 8492

HERMANN-HEINRICH-GOSSEN-STRASSE 3
D-50858 KÖLN, GERMANY
PHONE: 49 2234 37941 0
FAX: 49 2234 37941 64

INDIA

14, COMMERCE AVENUE
MAHAGANESH COLONY
PALUD ROAD
PUNE - 411038
MAHARASHTRA, INDIA
PHONE: 91 20 25452717, 25452718
FAX: 91 20 25452719

ITALY

BALDOR ASR AG
SUCCURSALE DI MENDRISIO
VIA BORROMINI, 20A
CH-6850 MENDRISIO
SWITZERLAND
PHONE: 0041 91 640 99 50
FAX: 0041 91 630 26 33

JAPAN

DIA BLDG 802,
2-21-1 TSURUYA-CHO,
KANAGAWA-KU
YOKOHAMA, 221-0835, JAPAN
PHONE: 81-45-412-4506
FAX: 81-45-412-4507

KOREA

RM 1715, SUSEO TOWER, 725,
SUSEO-DONG, GANGNAM-GU,
SEOUL 135-757 KOREA
TEL.: (82) 2 2226 9369
FAX: (82) 2 2226 9368

MEXICO

LEON, GUANAJUATO
KM. 2.0 BLVD. AEROPUERTO
LEÓN 37545, GUANAJUATO, MÉXICO
PHONE: 52 477 761 2030
FAX: 52 477 761 2010

MIDDLE EAST & NORTH AFRICA

VSE INTERNATIONAL CORP.
P. O. BOX 5618
BUFFALO GROVE, IL 60089-5618
PHONE: 847 590 5547
FAX: 847 590 5587

SINGAPORE

18, KAKI BUKIT ROAD 3
#03-09 ENTREPRENEUR BUSINESS CENTRE
SINGAPORE 415978
PHONE: (65) 6744 2572
FAX: (65) 6747 1708

PANAMA

AVE. RICARDO J. ALFARO
EDIFICIO SUN TOWERS MALL
PISO 2, LOCAL 55
CIUDAD DE PANAMA, PANAMA
PHONE: +507 236-5155
FAX: +507 236-0591

SWITZERLAND

POSTFACH 73
SCHUTZENSTRASSE 59
CH-8245 FEUERHALEN
SWITZERLAND
PHONE: +41 52 647 4700
FAX: +41 52 659 2394

TAIWAN

1F, NO 126 WENSHAN 3RD STREET,
NANTUN DISTRICT,
TAICHUNG CITY 408
TAIWAN R.O.C
PHONE: (886) 4 238 04235
FAX: (886) 4 238 04643

UNITED KINGDOM

6 BRISTOL DISTRIBUTION PARK
HAWKLEY DRIVE
BRISTOL BS32 0BF U.K.
PHONE: +44 1454 850000
FAX: +44 1454 859001

VENEZUELA

AV. ROMA, OTA EL MILAGRO. URB.
CALIFORNIA NORTE
CARACAS, 1070
VENEZUELA
PHONE: 58-414-114-8623
FAX: 58-412-322-5790



Baldor Electric Company
P.O. Box 2400
Fort Smith, AR 72902-2400 U.S.A.
Ph (479) 646-4711 • Fax (479) 648-5792
International Fax (479) 648-5895
www.baldor.com

